

SHOWERS



Acrylic & Quaryl colours

01 White (alpin)



96 Star White



Panel colours (acrylic & Quaryl)

01 White (alpin)



FUTURION ¹⁾
SUBWAY ¹⁾

96 Star White



FUTURION ¹⁾
SUBWAY ¹⁾

Satin colours (only shower trays Squaro - Colorline)

1S Anthracite



2S Crème



3S Grey



4S Brown



41 Edelweiss



Surface of shower enclosures

61 Chrome plated



Chromium-plated satinized



Glass colour

transparent Glass (ESG)



¹⁾ shower tray quarter circle

Index showers

GENERAL

How to use this pricelist – Wellness	4-5
Numerical index Wellness	13-14
Colour and model survey	17
Streamlining of the range	21
Wellness Lounge, Bathroom showrooms	22

OVERVIEWS

Overview of shower trays according to shape and dimension (Acrylic/Quaryl)	329-332
Overview of shower trays and shower enclosures (Acrylic/Quaryl)	333-335
Overview of baths and shower screens	382-384

SHOWER TRAYS QUARYL® (WELLNESS)

Futurion	336-339
Futurion Flat	339-341
Squaro	341-343

SHOWER TRAYS ACRYL (WELLNESS)


















O.novo	344-347
Subway	347-349

SHOWER ENCLOSURES (WELLNESS)

Shower enclosures technic	350
Shower enclosures order examples	351
Frame to Frame	352-355
Futurion Walk In	356-358
Squaro Walk In	359-360
Subway	361-370
Shower enclosures profiles	371

Overview of shower trays according to shape and dimension

Square

		800	900					
Width	800	 Furion UDQ0806FUT1V (336)						
	900	 O.novo UDA0806DEN1V (344)	<table border="1"> <tr> <td>  Furion UDQ0906FUT1V (336) </td> <td>  Subway UDA0935SUB1V (347) </td> </tr> <tr> <td>  Furion Flat UDQ0900FFL1V (339) </td> <td>  Squaro Super Flat UDQ0910SQR1V (341) </td> </tr> <tr> <td>  O.novo UDA0906DEN1V (344) </td> <td></td> </tr> </table>	 Furion UDQ0906FUT1V (336)	 Subway UDA0935SUB1V (347)	 Furion Flat UDQ0900FFL1V (339)	 Squaro Super Flat UDQ0910SQR1V (341)	 O.novo UDA0906DEN1V (344)
 Furion UDQ0906FUT1V (336)	 Subway UDA0935SUB1V (347)							
 Furion Flat UDQ0900FFL1V (339)	 Squaro Super Flat UDQ0910SQR1V (341)							
 O.novo UDA0906DEN1V (344)								

Square

		1000						
Width	1000	<table border="1"> <tr> <td>  Furion UDQ1006FUT1V (336) </td> <td>  O.novo UDA1006DEN1V (344) </td> <td>  Squaro Super Flat UDQ1010SQR1V (341) </td> </tr> <tr> <td>  Furion Flat UDQ1000FFL1V (339) </td> <td>  Subway UDA1035SUB1V (347) </td> <td></td> </tr> </table>	 Furion UDQ1006FUT1V (336)	 O.novo UDA1006DEN1V (344)	 Squaro Super Flat UDQ1010SQR1V (341)	 Furion Flat UDQ1000FFL1V (339)	 Subway UDA1035SUB1V (347)	
	 Furion UDQ1006FUT1V (336)	 O.novo UDA1006DEN1V (344)	 Squaro Super Flat UDQ1010SQR1V (341)					
 Furion Flat UDQ1000FFL1V (339)	 Subway UDA1035SUB1V (347)							

Material:

ACRYLIC

QUARYL®

- The prices are given in Euro excl. VAT.
 - All sizes are indicated in mm.

- Replace XX with colour code
 - For further information about colours, see the fold-out page at the beginning of the section and 17.

Overview of shower trays according to shape and dimension

Rectangular

	900	1000	1200	1400	1500
Width	750	 Futurion UDAQ9706FUT2V (337)			
		 O.novo UDA9706DEN2V (345)			
		 Subway UDA9735SUB2V (348)			
800	 Futurion UDAQ9806FUT2V (337)	 Futurion UDAQ1806FUT2V (337)	 Subway UDA1835SUB2V (348)	 Futurion UDAQ1286FUT2V (337)	
	 Futurion Flat UDAQ9800FFL2V (340)	 Futurion Flat UDAQ1800FFL2V (340)		 Futurion Flat UDAQ1280FFL2V (340)	
	 O.novo UDA9806DEN2V (345)	 O.novo UDA1806DEN2V (345)			
900			 Futurion UDAQ1296FUT2V (337)	 Subway UDA1293SUB2V (348)	 Futurion Flat UDAQ1490FFL2V (340)
			 Futurion Flat UDAQ1290FFL2V (340)	 Squaro Super Flat UDAQ1290SQR2V (342)	 Subway UDA1493SUB2V (348)
			 O.novo UDA1296DEN2V (345)		 Squaro Super Flat UDAQ1490SQR2V (342)
1000					 Futurion UDAQ1516FUT2V (338)
					 Futurion Flat UDAQ1510FFL2V (341)

Material:

ACRYLIC

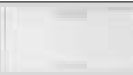




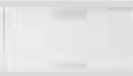
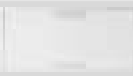
QUARYL®

- The prices are given in Euro excl. VAT.
 - All sizes are indicated in mm.







- Replace XX with colour code
 - For further information about colours, see the fold-out page at the beginning of the section and 17.

Overview of shower trays according to shape and dimension

Rectangular

	1600	1700	1800
Width 800		 Squaro Super Flat UDQ1780SQR2V (342)	
Width 900	 Futurion Flat UDQ1690FFL2V (341)		 Futurion Flat UDQ1890FFL2V (341)
	 Subway UDA1693SUB2V (348)		 Subway UDA1893SUB2V (348)
	 Squaro Super Flat UDQ1690SQR2V (342)		 Squaro Super Flat UDQ1890SQR2V (342)

Quarter circle

	900	1000
Width 900	 Futurion UDQ0906FUT4V (338)	 Squaro Super Flat UDQ0910SQR4V (343)
	 O.novo UDA0906DEN4V (346)	
	 Subway UDA0935SUB4V (349)	
Width 1000		 O.novo UDA1006DEN4V (346)
		 Subway UDA1035SUB4V (349)

Material:

ACRYLIC

QUARYL®

- The prices are given in Euro excl. VAT.
 - All sizes are indicated in mm.

- Replace XX with colour code
 - For further information about colours, see the fold-out page at the beginning of the section and 17.

Overview of shower trays according to shape and dimension

Pentagonal

		900		1000
Width	900	 Futurion UDQ0906FUT5V (339)	 Q.novo UDA0906DEN5V (347)	
	1000			 Q.novo UDA1006DEN5V (347)

OVERVIEWS

Material:

ACRYLIC

QUARYL®

- The prices are given in Euro excl. VAT.
 - All sizes are indicated in mm.

- Replace XX with colour code
 - For further information about colours, see the fold-out page at the beginning of the section and 17.

Overview of shower trays and shower enclosures

Square

Shower tray			Shower enclosure (Page)						
Length (A) x Width (B)	Product name	Page	Futurion Walk In (356-358)	Subway Pivot doors (361-367)	Subway Walk In (368)	Squaro Walk In (359)	Frame to Frame Sliding doors (352-355)	Frame to Frame Pivot doors (352-355)	Frame to Frame Pivot doors Alcove (352-355)
800 x 800	O.novo	344	-	●	-	-	●	●	-
	Futurion	336	-	●	-	-	●	●	-
900 x 900	O.novo	344	-	●	-	-	●	●	-
	Futurion	336	-	●	-	-	●	●	-
	Futurion Flat	339	-	●	-	-	●	●	-
	Squaro Super Flat	341	-	●	-	-	●	●	-
	Subway	347	-	●	-	-	●	●	-
1000 x 1000	O.novo	344	-	●	-	-	●	●	-
	Futurion	336	-	●	-	-	●	●	-
	Futurion Flat	339	-	●	-	-	●	●	-
	Subway	347	-	●	-	-	●	●	-

Rectangular

Shower tray			Shower enclosure (Page)						
Length (A) x Width (B)	Product name	Page	Futurion Walk In (356-358)	Subway Pivot doors (361-367)	Subway Walk In (368)	Squaro Walk In (359)	Frame to Frame Sliding doors (352-355)	Frame to Frame Pivot doors (352-355)	Frame to Frame Pivot doors Alcove (352-355)
900 x 750	O.novo	345	-	-	-	-	-	-	● (900)
	Futurion	337	-	-	-	-	-	-	● (900)
	Subway	348	-	-	-	-	-	-	● (900)

Material:

ACRYLIC

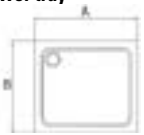


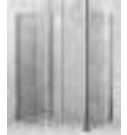

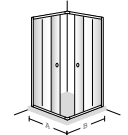
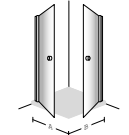
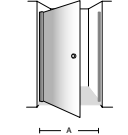
QUARYL®

- The prices are given in Euro excl. VAT.
- All sizes are indicated in mm.

- Replace XX with colour code
- For further information about colours, see the fold-out page at the beginning of the section and 17.

Overview of shower trays and shower enclosures

Rectangular

Shower tray		Shower enclosure (Page)							
									
Length (A) x Width (B)	Product name	Page	Futurion Walk In (356-358)	Subway Pivot doors (361-367)	Subway Walk In (368)	Squaro Walk In (359)	Frame to Frame Sliding doors (352-355)	Frame to Frame Pivot doors (352-355)	Frame to Frame Pivot doors Alcove (352-355)
									
900 x 800	O.novo	345	-	●	-	-	●	●	-
	Futurion	337	-	●	-	-	●	●	-
	Futurion Flat	340	-	●	-	-	●	●	-
1000 x 800	O.novo	345	-	●	-	-	●	●	-
	Futurion	337	-	●	-	-	●	●	-
	Futurion Flat	340	-	●	-	-	●	●	-
	Subway	348	-	●	-	-	●	●	-
1200 x 800	Futurion	337	●	●	-	●	-	-	-
	Futurion Flat	340	●	●	-	●	-	-	-
1200 x 900	O.novo	345	●	●	-	●	-	-	● (900)
	Futurion	337	●	●	-	●	-	-	● (900)
	Futurion Flat	340	●	●	-	●	-	-	● (900)
	Squaro Super Flat	342	●	●	-	●	-	-	● (900)
	Subway	348	●	●	-	●	-	-	-
1400 x 900	Futurion Flat	340	●	-	-	●	-	-	● (900)
	Squaro Super Flat	342	●	-	-	●	-	-	● (900)
	Subway	348	●	-	-	●	-	-	● (900)
1500 x 1000	Futurion	338	●	-	●	-	-	-	● (1000)
	Futurion Flat	341	●	-	●	-	-	-	● (1000)
1600 x 900	Futurion Flat	341	●	-	●	●	-	-	● (900)
	Squaro Super Flat	342	●	-	●	●	-	-	● (900)
	Subway	348	●	-	●	●	-	-	● (900)
1700 x 800	Squaro Super Flat	342	●	-	-	●	-	-	● (800)
1800 x 900	Futurion Flat	341	●	-	●	●	-	-	● (900)
	Squaro Super Flat	342	●	-	●	●	-	-	● (900)
	Subway	348	●	-	●	●	-	-	● (900)

Material:

ACRYLIC

QUARYL®

- The prices are given in Euro excl. VAT.
- All sizes are indicated in mm.

- Replace XX with colour code
- For further information about colours, see the fold-out page at the beginning of the section and 17.

Overview of shower trays and shower enclosures

Quarter circle

Shower tray				Shower enclosure (Page)					
Length (A) x Width (B)	Product name	Radius	Page	Futurion Walk In (356-358)	Subway Pivot doors (361-367)	Subway Walk In (368)	Squaro Walk In (359)	Frame to Frame Sliding doors (352-355)	Frame to Frame Pivot doors (352-355)
900 x 900	O.novo	550	346	-	●	-	-	●	●
	Futurion	550	338	-	●	-	-	●	●
	Squaro Super Flat	550	343	-	●	-	-	●	●
	Subway	550	349	-	●	-	-	●	●
1000 x 1000	O.novo		346	-	●	-	-	●	●
	Subway		349	-	●	-	-	●	●

Pentagonal

Shower tray				Shower enclosure (Page)					
Length (A) x Width (B)	Product name	Dimensions (D)	Page	Futurion Walk In (356-358)	Subway Pivot doors (361-367)	Subway Walk In (368)	Squaro Walk In (359)	Frame to Frame Sliding doors (352-355)	Frame to Frame Pivot doors (352-355)
900 x 900	O.novo		347	-	●	-	-	-	-
	Futurion	636	339	-	●	-	-	-	-
1000 x 1000	O.novo		347	-	●	-	-	-	-

Material:

ACRYLIC

QUARYL®

- The prices are given in Euro excl. VAT.
- All sizes are indicated in mm.

- Replace XX with colour code
- For further information about colours, see the fold-out page at the beginning of the section and 17.

FUTURION (Square) Quarry®

Not included in scope of delivery:

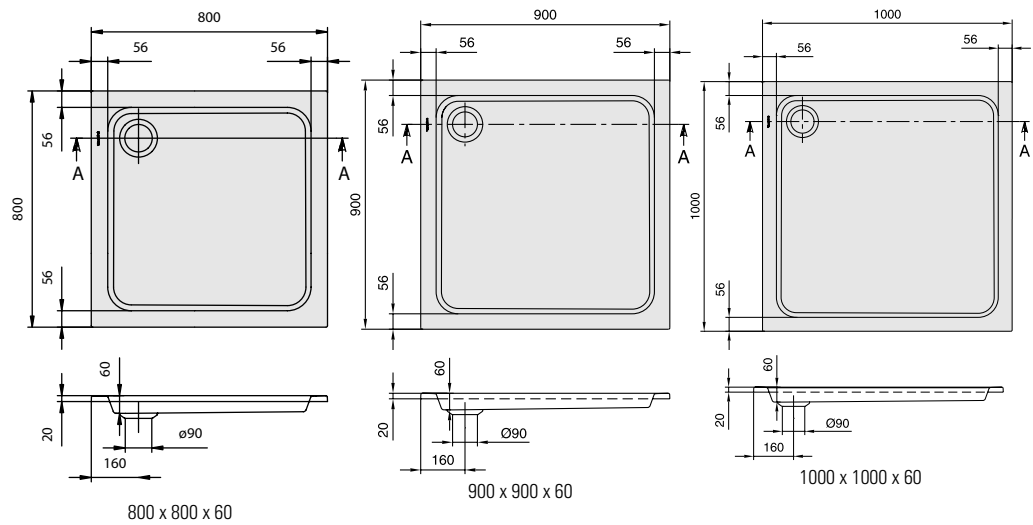
All Futurion shower trays are supplied without support/base.

Technical information:

The installation height of the shower tray can be reduced by 30 mm if the Viega outlet fitting art. no. 634 100 is used. Please note: this outlet fitting does not conform to EN 274.



Quarry®



Article number	Name and version	Size l x w x h	Depth	Weight (kg)	Waste ø	Colour Gloss
UDQ 0806 FUT 1V-XX	Futurion	800 x 800 x 60	60	12,30	90	404,-
UDQ 0906 FUT 1V-XX		900 x 900 x 60		17,00		404,-
UDQ 1006 FUT 1V-XX		1000 x 1000 x 60		22,90		525,-

Accessories for shower trays:

Article number	Description	Price
U91400200	Polystyrene support, for shower tray, 800 x 800 x 160 mm	155,-
U91400300	Polystyrene support, for shower tray, 900 x 900 x 160 mm	155,-
U91400100	Polystyrene support, for shower tray, 1000 x 1000 x 160 mm	155,-
U82990000	Shower tray feet, adjustable height 105 to 150 mm	63,-
U90880261	Tempoplex Plus outlet, ø 90 mm, Drainage rate: 51 l/min, chrome plated	83,-
U90880368	Tempoplex Plus outlet, ø 90 mm, Drainage rate: 51 l/min, white	83,-

FUTURION (Rectangular) Quarry®

Not included in scope of delivery:

All Futurion shower trays are supplied without support/base.

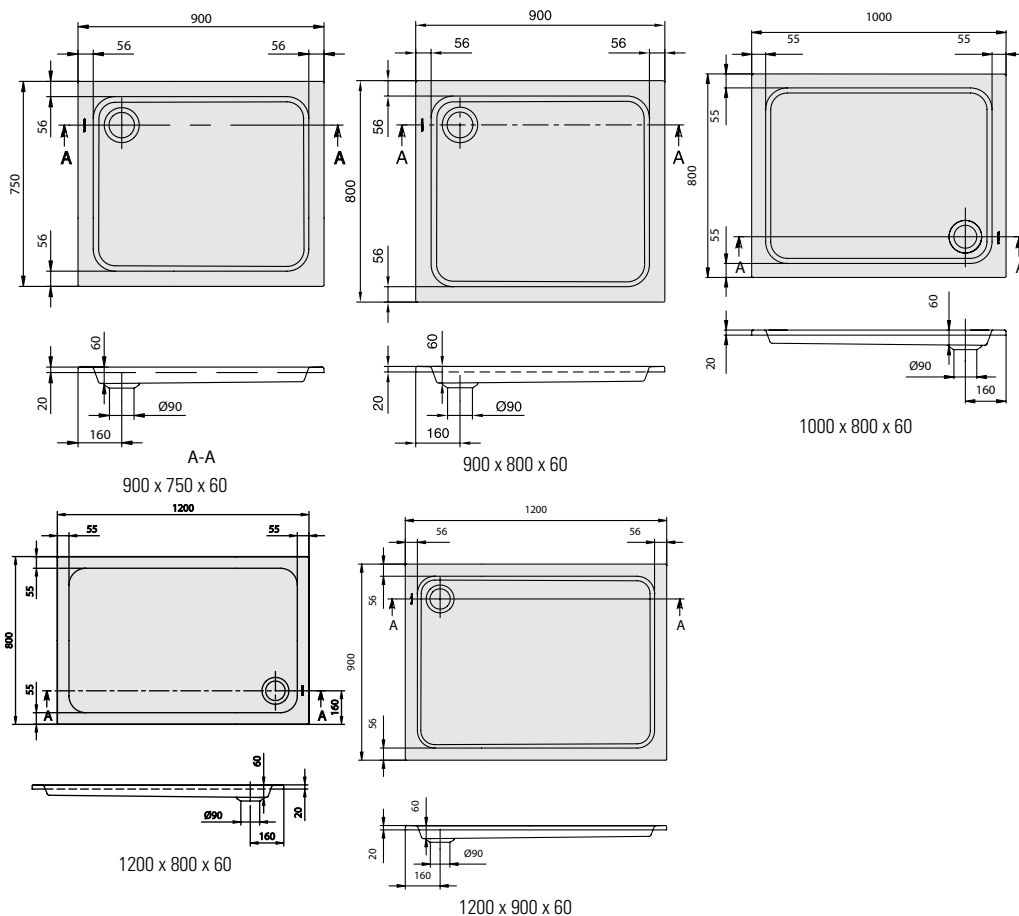
Technical information:

The installation height of the shower tray can be reduced by 30 mm if the Viega outlet fitting art. no. 634 100 is used. Please note: this outlet fitting does not conform to EN 274.

Models 900 x 750 can be delivered till 31.03.2014, then only from existing stocks.



Quarry®



SHOWER TRAYS

Article number	Name and version	Size l x w x h	Depth	Weight (kg)	Waste ø	Colour Gloss
UDQ 9706 FUT 2V-XX	Futurion	900 x 750 x 60	60	13,50	90	473,-
UDQ 9806 FUT 2V-XX		900 x 800 x 60		15,60		473,-
UDQ 1806 FUT 2V-XX		1000 x 800 x 60		19,40		591,-
UDQ 1286 FUT 2V-XX		1200 x 800 x 60		22,30		688,-
UDQ 1296 FUT 2V-XX		1200 x 900 x 60		24,30		688,-

Accessories for shower trays:

Article number	Description	Price
U91400800	Polystyrene support, for shower tray, 750 x 900 x 160 mm	155,-
U91400900	Polystyrene support, for shower tray, 800 x 900 x 160 mm	155,-
U91400400	Polystyrene support, for shower tray, 800 x 1000 x 160 mm	155,-
U91400500	Polystyrene support, for shower tray, 1200 x 800 x 160 mm	155,-
U91400600	Polystyrene support, for shower tray, 1200 x 900 x 160 mm	155,-
U82990000	Shower tray feet, adjustable height 105 to 150 mm	63,-
U90880261	Tempoplex Plus outlet, ø 90 mm, Drainage rate: 51 l/min, chrome plated	83,-
U90880368	Tempoplex Plus outlet, ø 90 mm, Drainage rate: 51 l/min, white	83,-

- The prices are given in Euro excl. VAT.
- All sizes are indicated in mm.

- Replace XX with colour code
- For further information about colours, see the fold-out page at the beginning of the section and 17.

FUTURION (Rectangular) Quarry®

Not included in scope of delivery:

All Futurion shower trays are supplied without support/base.

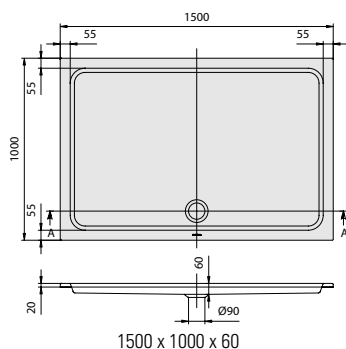
Technical information:

The installation height of the shower tray can be reduced by 30 mm if the Viega outlet fitting art. no. 634 100 is used. Please note: this outlet fitting does not conform to EN 274.

Can be delivered till 31.03.2014, then only from existing stocks.



Quarry®



1500 x 1000 x 60

Article number	Name and version	Size l x w x h	Depth	Weight (kg)	Waste ø	Colour Gloss
UDQ 1516 FUT 2V-XX	Futurion	1500 x 1000 x 60	60	39,90	90	849,-

Accessories for shower trays:

Article number	Description	Price
U91400700	Polystyrene support, for shower tray, 1500 x 1000 x 160 mm	210,-
U90880261	Tempoplex Plus outlet, ø 90 mm, Drainage rate: 51 l/min, chrome plated	83,-
U90880368	Tempoplex Plus outlet, ø 90 mm, Drainage rate: 51 l/min, white	83,-

FUTURION (Quarter circle) Quarry®

Not included in scope of delivery:

All Futurion shower trays are supplied without support/base.

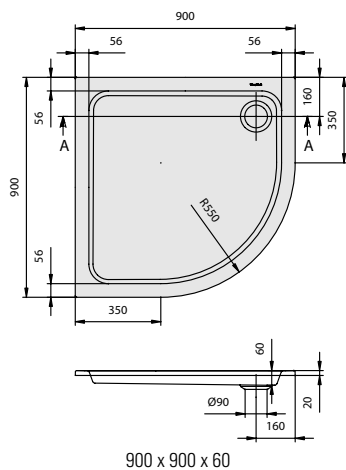
Technical information:

Height of the panel: 655 mm; total height incl. panel: 195 mm.

The installation height of the shower tray can be reduced by 30 mm if the Viega outlet fitting art. no. 634 100 is used. Please note: this outlet fitting does not conform to EN 274.



Quarry®



900 x 900 x 60

Article number	Name and version	Size l x w x h	Depth	Weight (kg)	Waste ø	Colour Gloss
UDQ 0906 FUT 4V-XX	Futurion	900 x 900 x 60	60	15,60	90	674,-
UDQ 0906 FUT 4PFV-XX	Futurion, incl. separate panel in the same colour as the bath, incl. frame	900 x 900 x 180		22,90		802,-

Accessories for shower trays:

Article number	Description	Price
U82990000	Shower tray feet, adjustable height 105 to 150 mm	63,-
U90880261	Tempoplex Plus outlet, ø 90 mm, Drainage rate: 51 l/min, chrome plated	83,-
U90880368	Tempoplex Plus outlet, ø 90 mm, Drainage rate: 51 l/min, white	83,-

FUTURION (Pentagonal) Quarryl®

Not included in scope of delivery:

All Futurion shower trays are supplied without support/base.

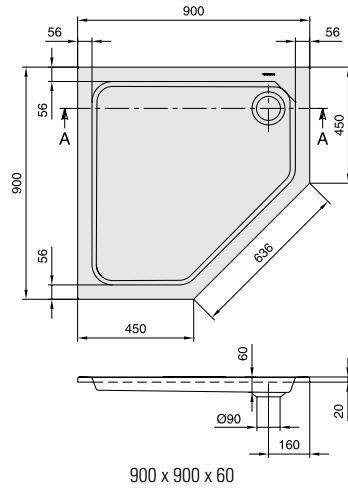
Technical information:

The installation height of the shower tray can be reduced by 30 mm if the Viega outlet fitting art. no. 634 100 is used. Please note: this outlet fitting does not conform to EN 274.

Can be delivered till 31.03.2014, then only from existing stocks.



Quarryl®



Article number	Name and version	Size l x w x h	Depth	Weight (kg)	Waste ø	Colour Gloss
UDQ 0906 FUT 5V-XX	Futurion	900 x 900 x 60	60	14,40	90	674,-

Accessories for shower trays:

Article number	Description	Price
U82990000	Shower tray feet, adjustable height 105 to 150 mm	63,-
U90880261	Tempoplex Plus outlet, ø 90 mm, Drainage rate: 51 l/min, chrome plated	83,-
U90880368	Tempoplex Plus outlet, ø 90 mm, Drainage rate: 51 l/min, white	83,-

FUTURION FLAT (Square) Quarryl®

Not included in scope of delivery:

All Futurion shower trays are supplied without support/base.

Technical information:

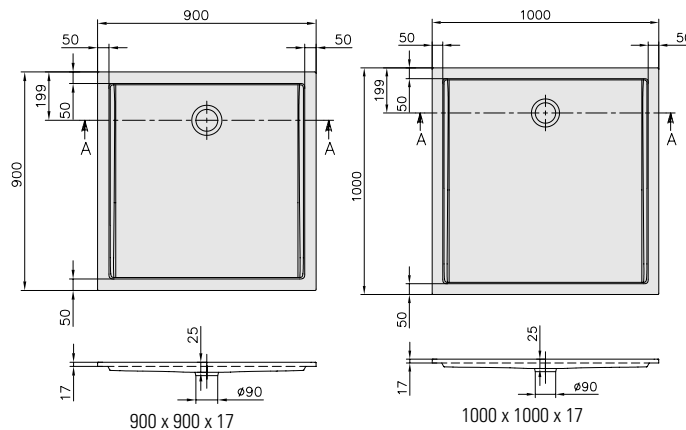
The installation height of the shower can be reduced to 105 mm if the Viega outlet fitting Art. no. 634 100 is used. Please note: This outlet fitting does not conform to EN 274.

Installation set U91411000 / U91411100:

Consisting of adjustable polystyrene support and sealing tape for installation flush with the floor. Including special adhesive.



Quarryl®



Article number	Name and version	Size l x w x h	Depth	Weight (kg)	Waste ø	Colour Gloss
UDQ 0900 FFL 1V-XX	Futurion Flat	900 x 900 x 17	25	22,80	90	540,-
UDQ 1000 FFL 1V-XX		1000 x 1000 x 17		28,50		720,-

Accessories for shower trays:

Article number	Description	Price
U91411000	Installation set, for small sizes (900 x 800 - 1000 x 1000), adjustable height 105 to 150 mm	133,-
U82990000	Shower tray feet, adjustable height 105 to 150 mm	63,-
U90880261	Tempoplex Plus outlet, ø 90 mm, Drainage rate: 51 l/min, chrome plated	83,-
U90880368	Tempoplex Plus outlet, ø 90 mm, Drainage rate: 51 l/min, white	83,-

- The prices are given in Euro excl. VAT.
- All sizes are indicated in mm.

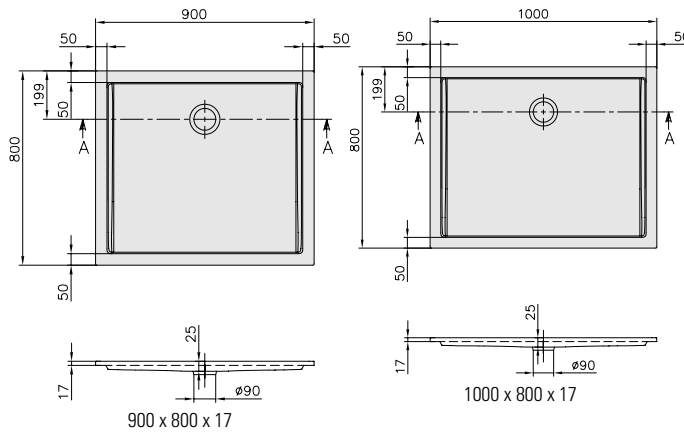
- Replace XX with colour code
- For further information about colours, see the fold-out page at the beginning of the section and 17.

FUTURION FLAT (Rectangular) Quaryl®

Not included in scope of delivery: All Futurion shower trays are supplied without support/base.
Technical information: The installation height of the shower can be reduced to 105 mm if the Viega outlet fitting Art. no. 634 100 is used. Please note: This outlet fitting does not conform to EN 274.
Installation set U91411000 / U91411100: Consisting of adjustable polystyrene support and sealing tape for installation flush with the floor. Including special adhesive.



Quaryl®



Article number	Name and version	Size l x w x h	Depth	Weight (kg)	Waste ø	Colour Gloss
UDQ 9800 FFL 2V-XX	Futurion Flat	900 x 800 x 17	25	20,30	90	587,-
UDQ 1800 FFL 2V-XX		1000 x 800 x 17		23,40		651,-

Accessories for shower trays:

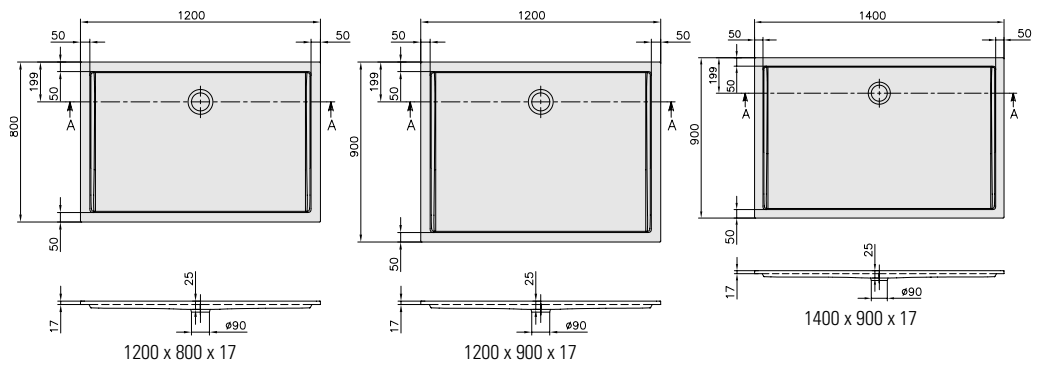
Article number	Description	Price
U91411000	Installation set, for small sizes (900 x 800 - 1000 x 1000), adjustable height 105 to 150 mm	133,-
U82990000	Shower tray feet, adjustable height 105 to 150 mm	63,-
U90880261	Tempoplex Plus outlet, ø 90 mm, Drainage rate: 51 l/min, chrome plated	83,-
U90880368	Tempoplex Plus outlet, ø 90 mm, Drainage rate: 51 l/min, white	83,-

FUTURION FLAT (Rectangular) Quaryl®

Not included in scope of delivery: All Futurion shower trays are supplied without support/base.
Technical information: The installation height of the shower can be reduced to 105 mm if the Viega outlet fitting Art. no. 634 100 is used. Please note: This outlet fitting does not conform to EN 274.
Installation set U91411000 / U91411100: Consisting of adjustable polystyrene support and sealing tape for installation flush with the floor. Including special adhesive.



Quaryl®



Article number	Name and version	Size l x w x h	Depth	Weight (kg)	Waste ø	Colour Gloss
UDQ 1280 FFL 2V-XX	Futurion Flat	1200 x 800 x 17	25	27,00	90	806,-
UDQ 1290 FFL 2V-XX		1200 x 900 x 17		30,30		806,-
UDQ 1490 FFL 2V-XX		1400 x 900 x 17		35,00		835,-

Accessories for shower trays:

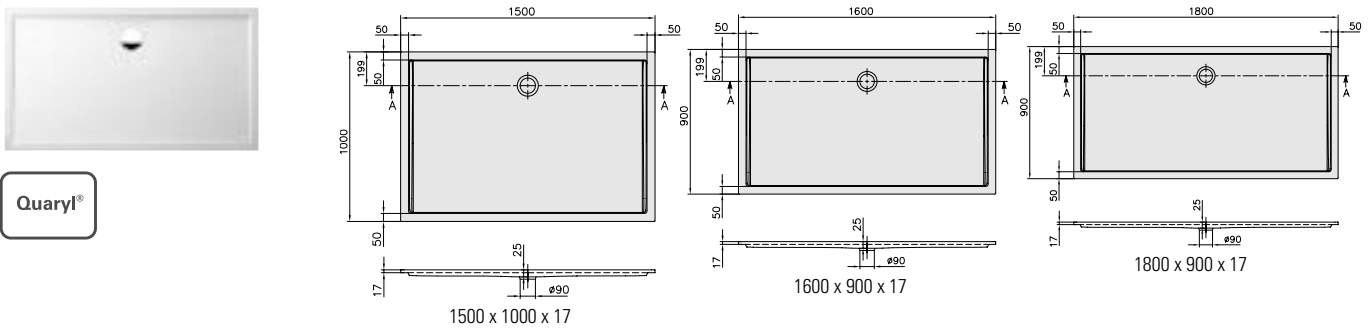
Article number	Description	Price
U91411100	Installation set, for large sizes (1200 x 800 - 1800 x 1000), adjustable height 105 to 150 mm	188,-
U82990000	Shower tray feet, adjustable height 105 to 150 mm	63,-
U90880261	Tempoplex Plus outlet, ø 90 mm, Drainage rate: 51 l/min, chrome plated	83,-
U90880368	Tempoplex Plus outlet, ø 90 mm, Drainage rate: 51 l/min, white	83,-

- The prices are given in Euro excl. VAT.
 - All sizes are indicated in mm.

- Replace XX with colour code
 - For further information about colours, see the fold-out page at the beginning of the section and 17.

FUTURION FLAT (Rectangular) Quaryl®

Not included in scope of delivery: All Futurion shower trays are supplied without support/base.
Technical information: The installation height of the shower can be reduced to 105 mm if the Viega outlet fitting Art. no. 634 100 is used. Please note: This outlet fitting does not conform to EN 274.
Installation set U91411000 / U91411100: Consisting of adjustable polystyrene support and sealing tape for installation flush with the floor. Including special adhesive.

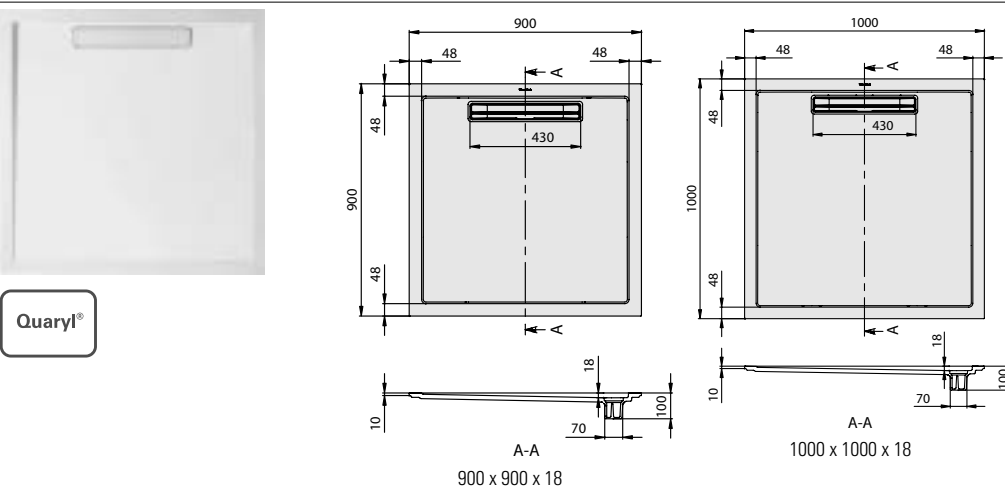


Article number	Name and version	Size l x w x h	Depth	Weight (kg)	Waste ø	Colour Gloss
UDQ 1510 FFL 2V-XX	Futurion Flat	1500 x 1000 x 17	25	39,90	90	998,-
UDQ 1690 FFL 2V-XX		1600 x 900 x 17		40,10		975,-
UDQ 1890 FFL 2V-XX		1800 x 900 x 17		45,00		1.076,-

Article number	Description	Price
U91411100	Installation set, for large sizes (1200 x 800 - 1800 x 1000), adjustable height 105 to 150 mm	188,-
U82990000	Shower tray feet, adjustable height 105 to 150 mm	63,-
U90880261	Tempoplex Plus outlet, ø 90 mm, Drainage rate: 51 l/min, chrome plated	83,-
U90880368	Tempoplex Plus outlet, ø 90 mm, Drainage rate: 51 l/min, white	83,-

SQUARO SUPER FLAT (Square) Quaryl®

Included in scope of delivery: Shower tray with integrated waste with waste cover from Quaryl®. Supplied with the product are: flexible drain connection and polystyrene support set incl. sealant tape or completely integrated installation. Including special adhesive. Installation set with adjustable feet.
Drain already included in price! No need to order separately.
Technical information: Drainage capacity: 36 l/min



Article number	Name and version	Size l x w x h	Depth	Weight (kg)	Waste l x w	Colour Gloss	Colour Color-line
UDQ 0910 SQR 1V-XX	Squaro, Super Flat	900 x 900 x 18	18	23,80	430 x 70	872,-	1.119,-
UDQ 1010 SQR 1V-XX		1000 x 1000 x 18		28,80		979,-	1.225,-

- The prices are given in Euro excl. VAT.
 - All sizes are indicated in mm.

- Replace XX with colour code
 - For further information about colours, see the fold-out page at the beginning of the section and 17.

SQUARO SUPER FLAT (Rectangular) Quarryl®

Included in scope of delivery:

Shower tray with integrated waste with waste cover from Quarryl®.
 Supplied with the product are: flexible drain connection and polystyrene support set incl. sealant tape or completely integrated installation.
 Including special adhesive.
 Installation set with adjustable feet.

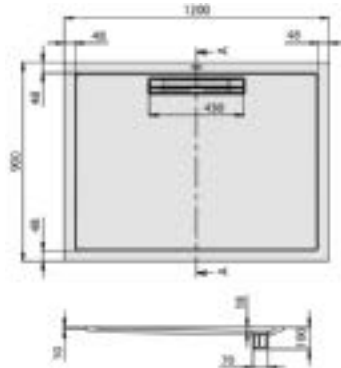
Drain already included in price! No need to order separately.

Technical information:

Drainage capacity: 36 l/min



Quarryl®



1200 x 900 x 18

Article number	Name and version	Size l x w x h	Depth	Weight (kg)	Waste l x w	Colour Gloss	Colour Color-line
UDQ 1290 SQR 2V-XX	Squaro, Super Flat	1200 x 900 x 18	18	30,70	430 x 70	1.098,-	1.344,-

SQUARO SUPER FLAT (Rectangular) Quarryl®

Included in scope of delivery:

Shower tray with integrated waste with waste cover from Quarryl®.
 Supplied with the product are: flexible drain connection and polystyrene support set incl. sealant tape or completely integrated installation.
 Including special adhesive.
 Installation set with adjustable feet.

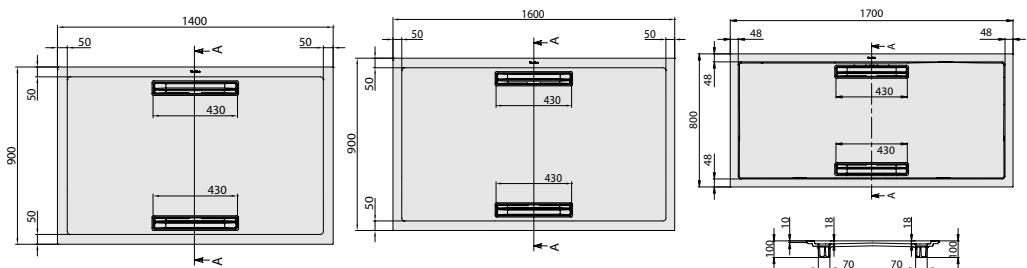
Drain already included in price! No need to order separately.

Technical information:

Drainage capacity: 50 l/min



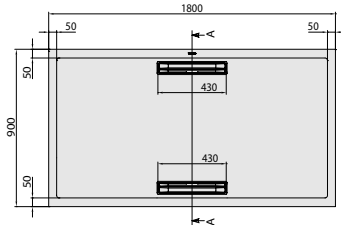
Quarryl®



1400 x 900 x 18

1600 x 900 x 18

1700 x 800 x 18



1800 x 900 x 18

Article number	Name and version	Size l x w x h	Depth	Weight (kg)	Waste l x w	Colour Gloss	Colour Color-line
UDQ 1490 SQR 2V-XX	Squaro, Super Flat	1400 x 900 x 18	18	38,80	430 x 70	1.229,-	1.475,-
UDQ 1690 SQR 2V-XX		1600 x 900 x 18		44,70		1.375,-	1.622,-
UDQ 1780 SQR 2V-XX		1700 x 800 x 18		40,70		1.394,-	1.640,-
UDQ 1890 SQR 2V-XX		1800 x 900 x 18		45,50		1.540,-	1.785,-

- The prices are given in Euro excl. VAT.
 - All sizes are indicated in mm.

- Replace XX with colour code
 - For further information about colours, see the fold-out page at the beginning of the section and 17.

SQUARO SUPER FLAT (Quarter circle) Quaryl®

Included in scope of delivery:

Shower tray with integrated waste with waste cover from Quaryl®.
 Supplied with the product are: flexible drain connection and polystyrene support set incl. sealant tape or completely integrated installation.
 Including special adhesive.
 Installation set with adjustable feet.

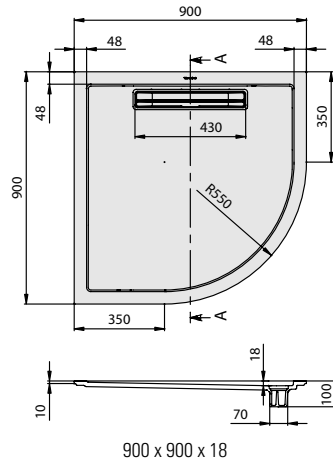
Drain already included in price! No need to order separately.

Technical information:

Drainage capacity: 36 l/min



Quaryl®



SHOWER TRAYS

Article number	Name and version	Size l x w x h	Depth	Weight (kg)	Waste l x w	Colour Gloss	Colour Color-line
UDQ 0910 SQR 4V-XX	Squaro, Super Flat	900 x 900 x 18	18	23,30	430 x 70	970,-	1.216,-

- The prices are given in Euro excl. VAT.
 - All sizes are indicated in mm.

- Replace XX with colour code
 - For further information about colours, see the fold-out page at the beginning of the section and 17.

O.NOVO (Square) Acrylic

Not included in scope of delivery:

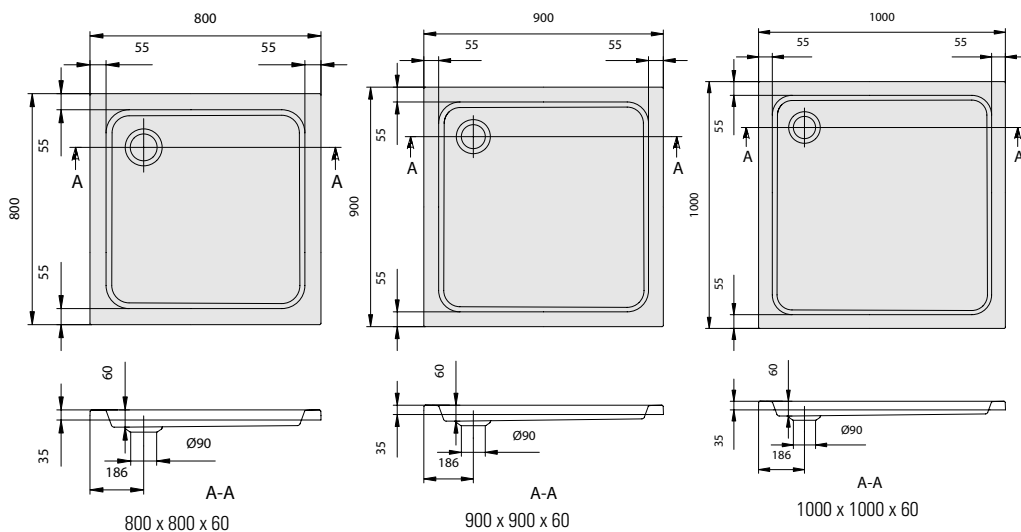
All shower trays are supplied without support/base.

Technical information:

Height incl. polystyrene foam support 195 mm.

Shower trays incl. slip resistance are only available in white alpin (01).

The installation height of the shower tray can be reduced by 30 mm if the Viega outlet fitting art. no. 634 100 is used. Please note: this outlet fitting does not conform to EN 274.



Article number	Name and version	Size l x w x h	Depth	Weight (kg)	Waste ø	Colour Gloss
UDA 0806 DEN 1V-XX	O.novo	800 x 800 x 60	60	9,00	90	256,-
UDA 0806 DEN 1GV-XX	O.novo, incl. anti slip					381,-
UDA 0906 DEN 1V-XX	O.novo	900 x 900 x 60		10,50		256,-
UDA 0906 DEN 1GV-XX	O.novo, incl. anti slip			11,00		381,-
UDA 1006 DEN 1V-XX	O.novo	1000 x 1000 x 60		13,40		323,-
UDA 1006 DEN 1GV-XX	O.novo, incl. anti slip			16,00		448,-

Accessories for shower trays:

Article number	Description	Price
U91400200	Polystyrene support, for shower tray, 800 x 800 x 160 mm	155,-
U91400300	Polystyrene support, for shower tray, 900 x 900 x 160 mm	155,-
U91400100	Polystyrene support, for shower tray, 1000 x 1000 x 160 mm	155,-
U82990000	Shower tray feet, adjustable height 105 to 150 mm	63,-
U90880261	Tempoplex Plus outlet, ø 90 mm, Drainage rate: 51 l/min, chrome plated	83,-
U90880368	Tempoplex Plus outlet, ø 90 mm, Drainage rate: 51 l/min, white	83,-

O.NOVO (Rectangular) Acrylic

Not included in scope of delivery:

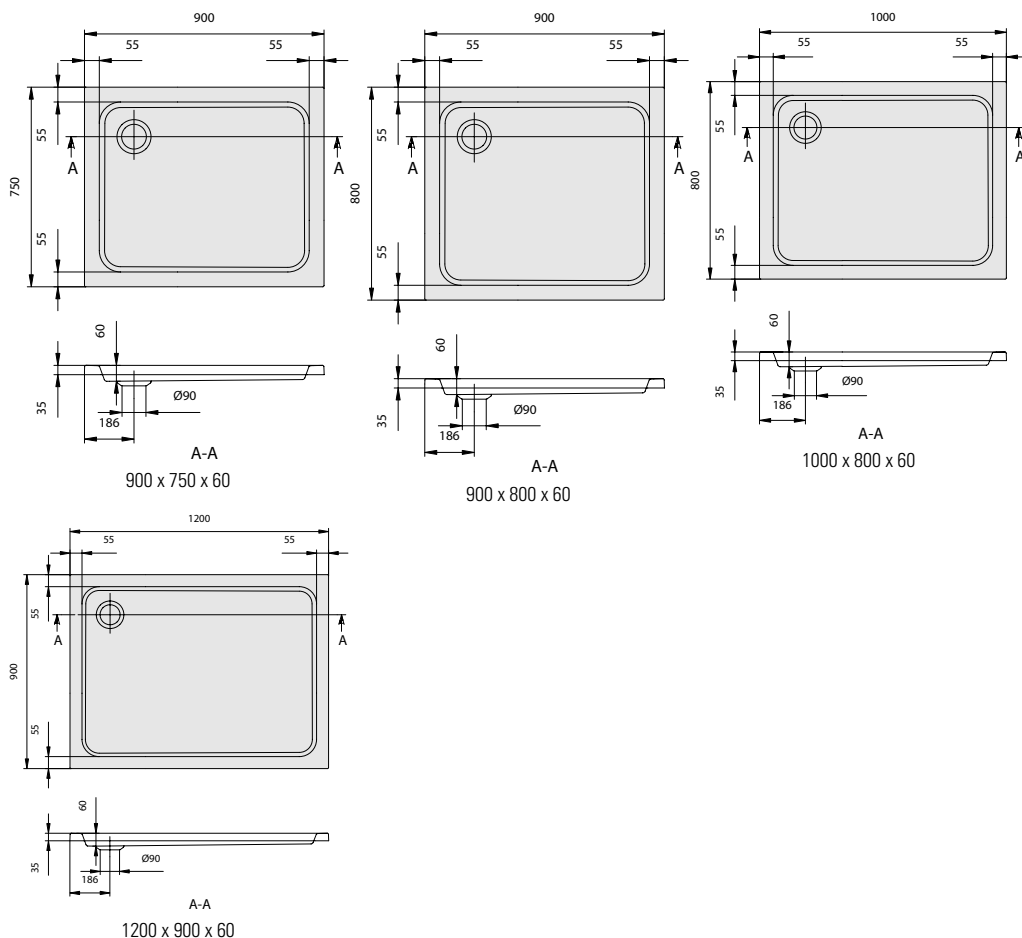
All shower trays are supplied without support/base.

Technical information:

Height incl. polystyrene foam support 195 mm.

Shower trays incl. slip resistance are only available in white alpin (01).

The installation height of the shower tray can be reduced by 30 mm if the Viega outlet fitting art. no. 634 100 is used. Please note: this outlet fitting does not conform to EN 274.



Article number	Name and version	Size l x w x h	Depth	Weight (kg)	Waste ø	Colour Gloss
UDA 9706 DEN 2V-XX	O.novo	900 x 750 x 60	60	10,50	90	277,-
UDA 9706 DEN 2GV-XX	O.novo, incl. anti slip	900 x 750 x 60				402,-
UDA 9806 DEN 2V-XX	O.novo	900 x 800 x 60		277,-		
UDA 9806 DEN 2GV-XX	O.novo, incl. anti slip	900 x 800 x 60		402,-		
UDA 1806 DEN 2V-XX	O.novo	1000 x 800 x 60		11,00		344,-
UDA 1806 DEN 2GV-XX	O.novo, incl. anti slip	1000 x 800 x 60		469,-		
UDA 1296 DEN 2V-XX	O.novo	1200 x 900 x 60		15,00		378,-
UDA 1296 DEN 2GV-XX	O.novo, incl. anti slip	1200 x 900 x 60		13,50		503,-

Accessories for shower trays:

Article number	Description	Price
U91400800	Polystyrene support, for shower tray, 750 x 900 x 160 mm	155,-
U91400900	Polystyrene support, for shower tray, 800 x 900 x 160 mm	155,-
U91400400	Polystyrene support, for shower tray, 800 x 1000 x 160 mm	155,-
U91400600	Polystyrene support, for shower tray, 1200 x 900 x 160 mm	155,-
U82990000	Shower tray feet, adjustable height 105 to 150 mm	63,-
U90880261	Tempoplex Plus outlet, ø 90 mm, Drainage rate: 51 l/min, chrome plated	83,-
U90880368	Tempoplex Plus outlet, ø 90 mm, Drainage rate: 51 l/min, white	83,-

- The prices are given in Euro excl. VAT.
- All sizes are indicated in mm.

- Replace XX with colour code
- For further information about colours, see the fold-out page at the beginning of the section and 17.

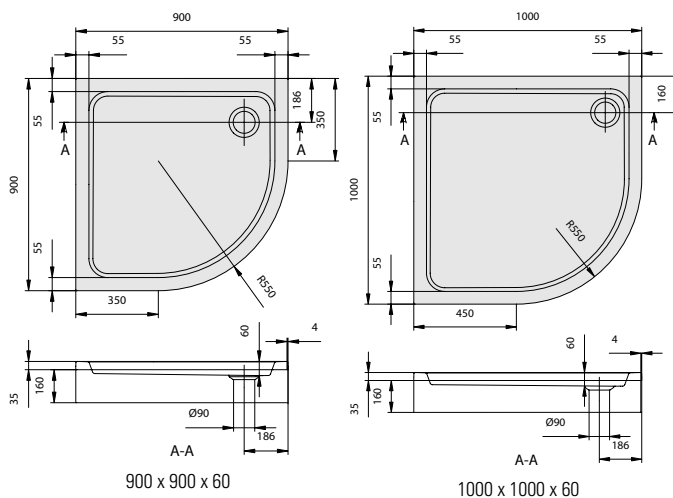
O.NOVO (Quarter circle) Acrylic

Not included in scope of delivery:

All shower trays are supplied without support/base.

Technical information:

Shower trays incl. slip resistance are only available in white alpin (01).
The installation height of the shower tray can be reduced by 30 mm if the Viega outlet fitting art. no. 634 100 is used. Please note: this outlet fitting does not conform to EN 274.



SHOWER TRAYS

Article number	Name and version	Size l x w x h	Depth	Weight (kg)	Waste ø	Colour Gloss
UDA 0906 DEN 4V-XX	O.novo	900 x 900 x 60	60	9,50	90	256,-
UDA 0906 DEN 4GV-XX	O.novo, incl. anti slip			19,00		381,-
UDA 1006 DEN 4V-XX	O.novo	1000 x 1000 x 60	60	13,50		323,-
UDA 1006 DEN 4GV-XX	O.novo, incl. anti slip			13,00		448,-

Accessories for shower trays:

Article number	Description	Price
U82990000	Shower tray feet, adjustable height 105 to 150 mm	63,-
U90880261	Tempoplex Plus outlet, ø 90 mm, Drainage rate: 51 l/min, chrome plated	83,-
U90880368	Tempoplex Plus outlet, ø 90 mm, Drainage rate: 51 l/min, white	83,-

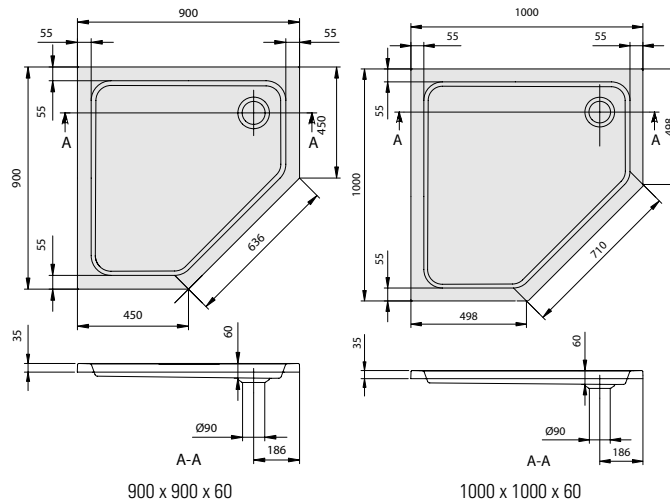
O.NOVO (Pentagonal) Acrylic

Not included in scope of delivery:

All shower trays are supplied without support/base.

Technical information:

Shower trays incl. slip resistance are only available in white alpin (01).
The installation height of the shower tray can be reduced by 30 mm if the Viega outlet fitting art. no. 634 100 is used. Please note: this outlet fitting does not conform to EN 274.



Article number	Name and version	Size l x w x h	Depth	Weight (kg)	Waste ø	Colour Gloss
UDA 0906 DEN 5V-XX	O.novo	900 x 900 x 60	60	10,00	90	277,-
UDA 0906 DEN 5GV-XX	O.novo, incl. anti slip	900 x 900 x 60		10,50		402,-
UDA 1006 DEN 5V-XX	O.novo	1000 x 1000 x 60	60	13,50	90	333,-
UDA 1006 DEN 5GV-XX	O.novo, incl. anti slip					458,-

Accessories for shower trays:

Article number	Description	Price
U82990000	Shower tray feet, adjustable height 105 to 150 mm	63,-
U90880261	Tempoplex Plus outlet, ø 90 mm, Drainage rate: 51 l/min, chrome plated	83,-
U90880368	Tempoplex Plus outlet, ø 90 mm, Drainage rate: 51 l/min, white	83,-

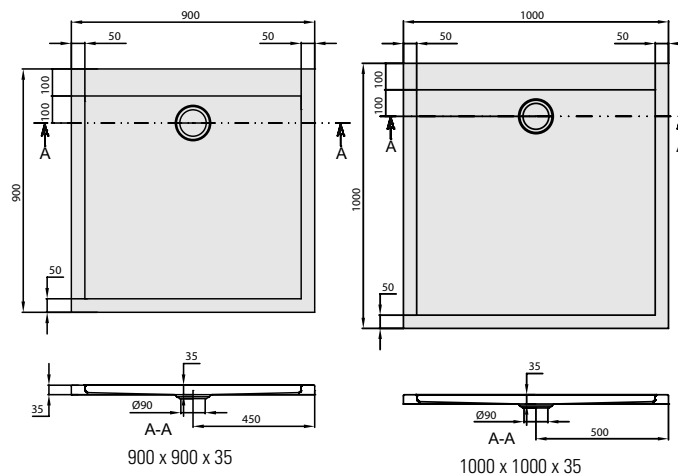
SUBWAY (Square) Acrylic

Not included in scope of delivery:

All shower trays are supplied without support/base.

Technical information:

The installation height of the shower tray can be reduced by 30 mm if the Viega outlet fitting art. no. 634 100 is used. Please note: this outlet fitting does not conform to EN 274.



Article number	Name and version	Size l x w x h	Depth	Weight (kg)	Waste ø	Colour Gloss
UDA 0935 SUB 1V-XX	Subway	900 x 900 x 35	35	10,50	90	402,-
UDA 1035 SUB 1V-XX		1000 x 1000 x 35		12,75		466,-

Accessories for shower trays:

Article number	Description	Price
U82990000	Shower tray feet, adjustable height 105 to 150 mm	63,-
U90880261	Tempoplex Plus outlet, ø 90 mm, Drainage rate: 51 l/min, chrome plated	83,-
U90880368	Tempoplex Plus outlet, ø 90 mm, Drainage rate: 51 l/min, white	83,-

SUBWAY (Rectangular) Acrylic

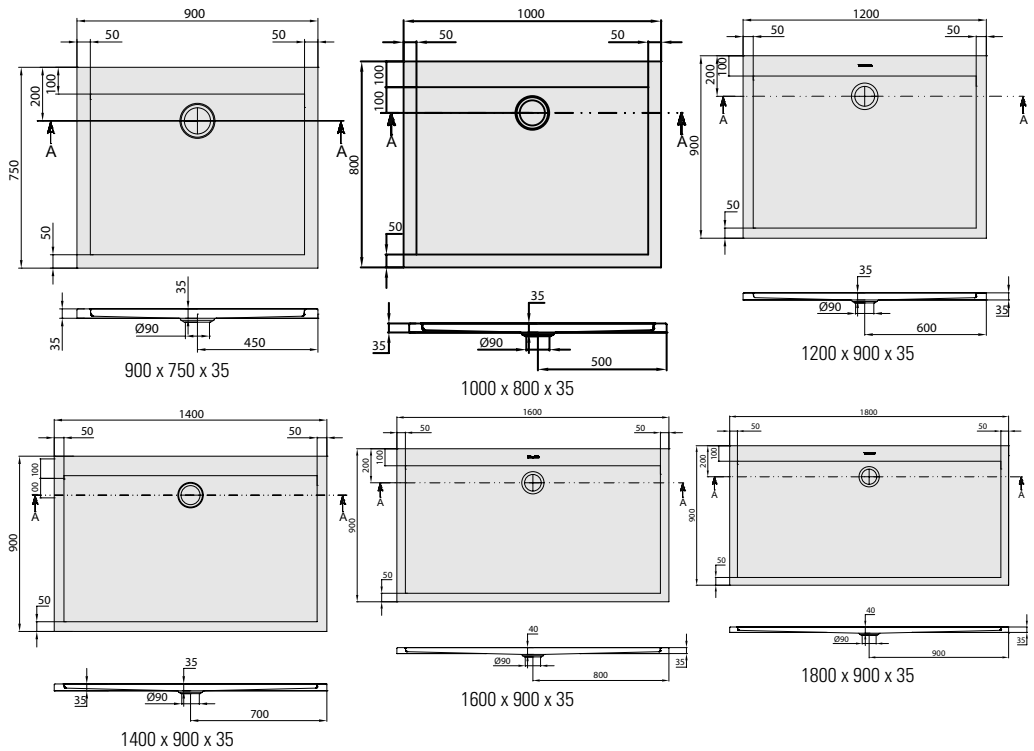
Not included in scope of delivery:

All shower trays are supplied without support/base.

Technical information:

For the models 1600 x 900 and 1800 x 900 are two supports (U82990000) necessary.

The installation height of the shower tray can be reduced by 30 mm if the Viega outlet fitting art. no. 634 100 is used. Please note: this outlet fitting does not conform to EN 274.



SHOWER TRAYS

Article number	Name and version	Size l x w x h	Depth	Weight (kg)	Waste ø	Colour Gloss
UDA 9735 SUB 2V-XX	Subway	900 x 750 x 35	35	10,50	90	415,-
UDA 1835 SUB 2V-XX		1000 x 800 x 35		11,50		452,-
UDA 1293 SUB 2V-XX		1200 x 900 x 35		15,00		503,-
UDA 1493 SUB 2V-XX		1400 x 900 x 35		23,00		566,-
UDA 1693 SUB 2V-XX		1600 x 900 x 35		28,00		627,-
UDA 1893 SUB 2V-XX		1800 x 900 x 35		33,00		729,-

Accessories for shower trays:

Article number	Description	Price
U82990000	Shower tray feet, adjustable height 105 to 150 mm	63,-
U90880261	Tempoplex Plus outlet, ø 90 mm, Drainage rate: 51 l/min, chrome plated	83,-
U90880368	Tempoplex Plus outlet, ø 90 mm, Drainage rate: 51 l/min, white	83,-

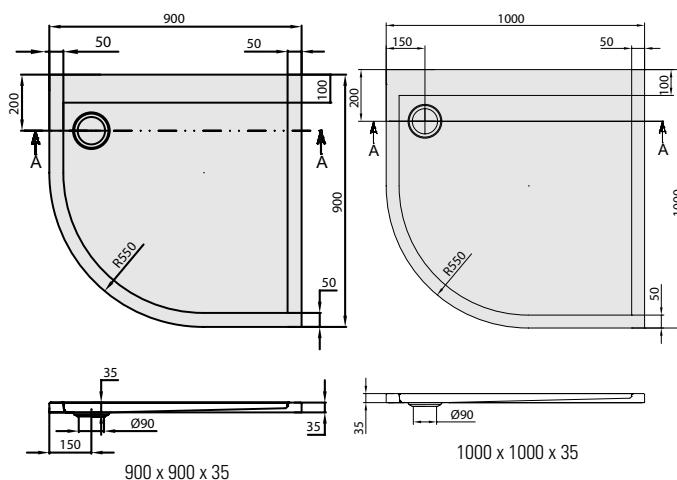
SUBWAY (Quarter circle) Acrylic

Not included in scope of delivery:

All shower trays are supplied without support/base.

Technical information:

The installation height of the shower tray can be reduced by 30 mm if the Viega outlet fitting art. no. 634 100 is used. Please note: this outlet fitting does not conform to EN 274.



Article number	Name and version	Size l x w x h	Depth	Weight (kg)	Waste ø	Colour Gloss
UDA 0935 SUB 4V-XX	Subway	900 x 900 x 35	35	10,00	90	402,-
UDA 0935 SUB 4PFV-XX	Subway, incl. separate panel in the same colour as the bath, incl. frame	900 x 900 x 195		19,00		528,-
UDA 1035 SUB 4V-XX	Subway	1000 x 1000 x 35		12,50		522,-
UDA 1035 SUB 4PFV-XX	Subway, incl. separate panel in the same colour as the bath, incl. frame	1000 x 1000 x 195		22,00		663,-

Accessories for shower trays:

Article number	Description	Price
U82990000	Shower tray feet, adjustable height 105 to 150 mm	63,-
U90880261	Tempoplex Plus outlet, ø 90 mm, Drainage rate: 51 l/min, chrome plated	83,-
U90880368	Tempoplex Plus outlet, ø 90 mm, Drainage rate: 51 l/min, white	83,-

SHOWER TRAYS

- The prices are given in Euro excl. VAT.
- All sizes are indicated in mm.

- Replace XX with colour code
- For further information about colours, see the fold-out page at the beginning of the section and 17.

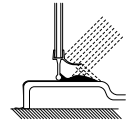
Shower enclosures technic

Splash proof and Quality

The design of the shower enclosure and the shower tray is decisive for the degree of splash proofness. Accordingly, when selecting the product, you should include your waterproofing requirements. This is because, in comparison with design-orientated, reduced frame and no-frame products, fully framed products offer a higher level of splash proofness. In the same way, it is clear that doors opening onto a room can spread droplets of water. With sliding doors, these droplets remain in the shower. Water proofness will also be determined by whether the shower enclosure is installed directly on a shower tray or at the level of the floor. It goes without saying that all Villeroy & Boch Shower enclosures satisfy the requirements for splash proofness and are tested to the requirements of the current version of DIN EN 14428.

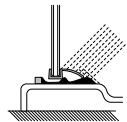
No-frame Shower enclosures

No-frame Shower enclosures represent design, exclusivity and easy cleaning: because of the lack of a lower sealing strip splash water can more easily escape.



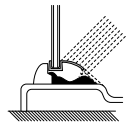
Reduced-frame Shower enclosures

With their attractive profiles, reduced-frame Shower enclosures have a pleasing appearance, but because of their design, they cannot guarantee absolute water proofness.



Full-frame Shower enclosures

With their pronounced profiles, full-frame Shower enclosures offer excellent water proofness.



Installation hints

When installing Shower enclosures, care must be taken to ensure that there is no piping (e.g. for water or electricity) installed in the vicinity of the shower enclosure mountings. Villeroy & Boch cannot accept any responsibility for damage that could occur.

Maintenance hints/ VILBOclear

For Shower enclosures in safety glass without additional VILBOclear quality enhancing treatment, we recommend, in order to prevent the build-up of limescale and dirt, that regular cleaning is carried out using a mild alkaline cleaner or a standard commercial bath cleaner (and following the manufacturer's instructions). However, suitability should be verified by cleaning an inconspicuous area beforehand. VILBOclear, the special process for enhancing single-pane safety glass in Shower enclosures is available as an option for Subway and Lifetime Shower enclosures and as standard for Squaro Shower enclosures. VILBOclear is applied directly to the glass at the factory. Just like the successful Villeroy & Boch innovation CeramicPlus, VILBOclear is water-repellent, so that no beads of water will form when the glass is wet. Real glass Shower enclosures treated with VILBOclear, stand out because they are much easier to clean than conventional Shower enclosures, as dirt and other impurities are easily removed. Cleaning real glass Shower enclosures treated with VILBOclear is simple: The panes should be cleaned regularly with clean water and a soft cloth or sponge (do not use micro-fibre cloths or abrasive cloths or cleaning agents).

VILBOclear

Tray installation dimensions

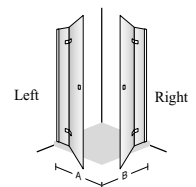
The tray installation dimensions defines the measuring area into which a standard product and all available compensating products can be built.

Wear parts

In spite of the high quality of the materials used, certain components such as plastic profiles, drainage strips will start to show signs of wear over the course of time and - depending on how frequently they are used and how they are cleaned - will need to be replaced. These components are not covered by our warranty.

Left side, right side

Measuring a shower enclosure is considered at from the outside by Villeroy & Boch, so that there are left and right sided variations of the different models. Where there is a corner entrance, a left and a right side must always be ordered (2 article numbers), to ensure that the shower is complete. If a model does not contain any information on left / right, it will be a reversible product and can be installed on the left or on the right. In the case of models not comprising two article numbers (e.g. a quarter circle with a door), left represents left-opening doors and right represents right-opening doors.

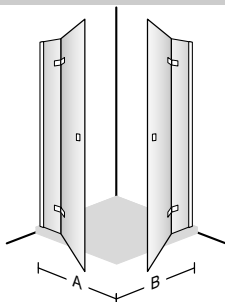


Shower enclosures order examples

Examples for Shower enclosures consisting of several articles:

Subway (Corner)

2 Pivoting doors, left and right (800 mm), for corner, transparent single pane safety glass, satin-finish chrome



Version without VILBOclear

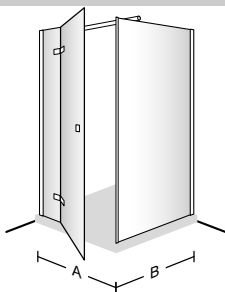
Description	Article number	Page
Door left	DW0080SUB204LIV-00	see page. 362
Door right	DW0080SUB204REV-00	

Version incl. VILBOclear

Description	Article number	Page
Door left	DW0080SUB204LGV-00	see page. 362
Door right	DW0080SUB204RGV-00	

Subway (Corner)

Pivoting door (1200 mm) for combination with side panel (1200 mm), transparent single pane safety glass, chrome plated



Version left without VILBOclear

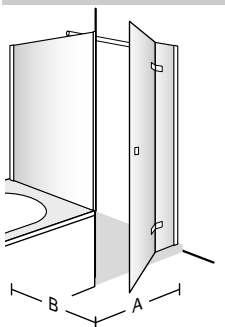
Description	Article number	Page
Pivoting door	DW0120SUB204LIV-61	see page. 363
Side section	DW0120SUB203V-61	

Version right incl. VILBOclear

Description	Article number	Page
Pivoting door	DW0120SUB204RGV-61	see page. 363
Side section	DW0120SUB203GV-61	

Subway (Corner)

Pivoting door (900 mm), for combination with short side panel (900 mm), transparent single pane safety glass, satin-finish chrome



Version left without VILBOclear

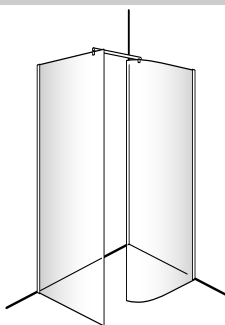
Description	Article number	Page
Pivoting door	DW0090SUB204LIV-00	see page. 364
Side section	DW0090SUB212V-00	

Version right incl. VILBOclear

Description	Article number	Page
Pivoting door	DW0090SUB204RGV-00	see page. 364
Side section	DW0090SUB212GV-00	

Subway (Walk-In)

Walk-In basic element (900 mm), curved for combination with side panel (1000 mm), transparent single pane safety glass



Version without VILBOclear

Description	Article number	Page
Basic element	DW0090SUB183V-61	see page. 368
Side section	DW0100SUB184V-61	
Cross-bar	PGR60522301019	

Version incl. VILBOclear

Description	Article number	Page
Basic element	DW0090SUB183GV-61	see page. 368
Side section	DW0100SUB184GV-61	
Cross-bar	PGR60522301019	

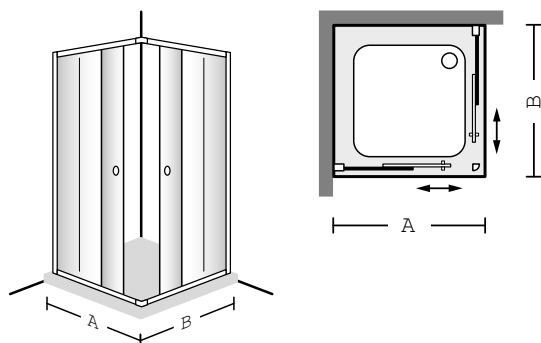
FRAME TO FRAME Sliding doors (Corner)

Technical information:

Profiles + doorknobs: Are available in the colours chrome-plated (61).

Glass: Entrance corner, 6 mm safety glass always with VILBOclear.

Installation: Shower tray or integrated installation (tiles, floor).



Vilbo
Clear

Standard dimensions:

Article number	Version and type of glass	Size l x w	Width fixed panel	Tray installation dim. (A/B)	Height	Width Step in	Colour 61
DW 8080 NAU 120V-XX	Corner entry, with 2 sliding doors (two-part)	800 x 800	280	780 - 805	1950	450	1.189,-
DW 9090 NAU 120V-XX		900 x 900	330	880 - 905		500	1.189,-
DW 1010 NAU 120V-XX		1000 x 1000	380	980 - 1005		550	1.218,-
DW 8090 NAU 120RV-XX		800 x 900	280-330	780 - 805 x 880 - 905		475	1.189,-
DW 9080 NAU 120LV-XX		900 x 800	330-280	880 - 905 x 780 - 805		475	1.189,-
DW 8010 NAU 120RV-XX		800 x 1000	280-380	780 - 805 x 980 - 1005		500	1.189,-
DW 1080 NAU 120LV-XX		1000 x 800	380-280	980 - 1005 x 780 - 805		500	1.189,-

Extras:

Article number	Description	Price
UPGUHWP-61	Extension profile, additional adjusting range: + 40 mm, height: 1950 mm, chrome plated	112,-

Matching shower trays see survey shower trays and shower enclosures page 333-335.

Please note the indication for watertightness and maintenance. See the chapter for technical information about shower enclosures, page 350).

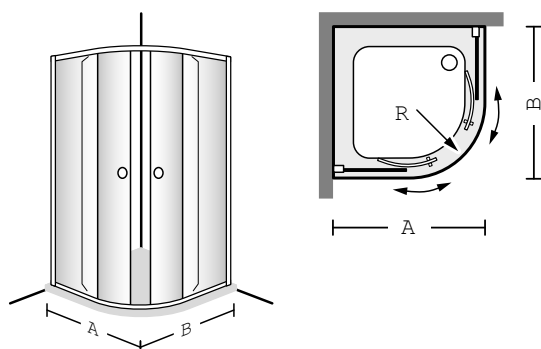
FRAME TO FRAME Sliding doors (Quarter circle)

Technical information:

Profiles + doorknobs: Are available in the colours chrome-plated (61).

Glass: Quarter circle, 6 mm safety glass always with VILBOclear.

Installation: Shower tray or integrated installation (tiles, floor).



Vilbo
Clear

Standard dimensions:

Article number	Version and type of glass	Size l x w	Width fixed panel	Tray installation dim. (A/B)	Height	Width Step in	Radius	Colour 61
DW 8080 NAU 164V-XX	Quarter circle, with 2 sliding doors (two-part)	800 x 800	235	780 - 805	1950	450	550	1.412,-
DW 9090 NAU 164V-XX		900 x 900	290	880 - 905		540		1.412,-
DW 1010 NAU 164V-XX		1000 x 1000	390	980 - 1005		540		1.443,-

Extras:

Article number	Description	Price
UPGUHWP-61	Extension profile, additional adjusting range: + 40 mm, height: 1950 mm, chrome plated	112,-

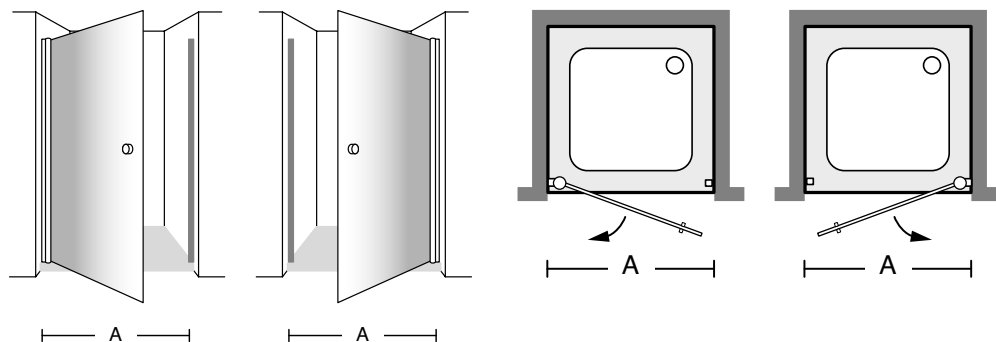
Matching shower trays see survey shower trays and shower enclosures page 333-335.

Please note the indication for watertightness and maintenance. See the chapter for technical information about shower enclosures, page 350).

FRAME TO FRAME Pivot doors (Alcove)

Technical information:

Profiles + doorknobs: Are available in the colours chrome-plated (61).
Glass: Entrance corner, 6 mm safety glass always with VILBOclear.
Installation: Shower tray or integrated installation (tiles, floor).
Because of the construction, a 100% watertightness for shower enclosures with minimum profiles cannot be guaranteed.



Vilbo
Clear

Standard dimensions:

Article number	Version and type of glass	Size l x w	Tray installation dim. (A/B)	Height	Width Step in	Colour 61
DW 0080 SKA 100V-XX	Alcove, with pivoting door (can be placed on the right or left-hand side)	800	780 - 820	1950	700	788,-
DW 0090 SKA 100V-XX		900	880 - 920		800	788,-
DW 0100 SKA 100V-XX		1000	980 - 1020		900	806,-

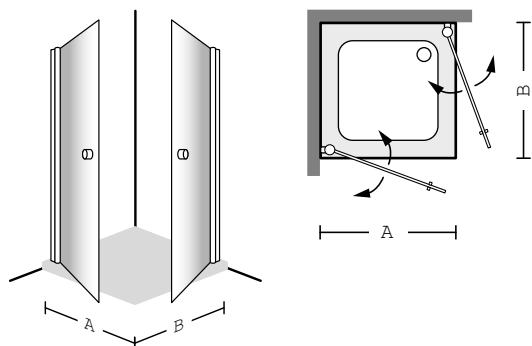
Matching shower trays see survey shower trays and shower enclosures page 333-335.

Please note the indication for watertightness and maintenance. See the chapter for technical information about shower enclosures, page 350).

FRAME TO FRAME Pivot doors (Corner)

Technical information:

Profiles + doorknobs: Are available in the colours chrome-plated (61).
Glass: Entrance corner, 6 mm safety glass always with VILBOclear.
Installation: Shower tray or integrated installation (tiles, floor).
Because of the construction, a 100% watertightness for shower enclosures with minimum profiles cannot be guaranteed.



Vilbo
Clear

Standard dimensions:

Article number	Version and type of glass	Size l x w	Tray installation dim. (A/B)	Height	Width Step in	Colour 61
DW 8080 SKA 120V-XX	Corner entry, with 2 pivoting doors	800 x 800	780 - 800	1950	950	1.189,-
DW 9090 SKA 120V-XX		900 x 900	880 - 900		1100	1.189,-
DW 1010 SKA 120V-XX		1000 x 1000	980 - 1000		1250	1.218,-
DW 8090 SKA 120RV-XX		800 x 900	780 - 800 x 880 - 900		1025	1.189,-
DW 9080 SKA 120LV-XX		900 x 800	880 - 900 x 780 - 800			1.189,-
DW 8010 SKA 120RV-XX		800 x 1000	780 - 800 x 980 - 1000		1100	1.189,-
DW 1080 SKA 120LV-XX		1000 x 800	980 - 1000 x 780 - 800			1.189,-

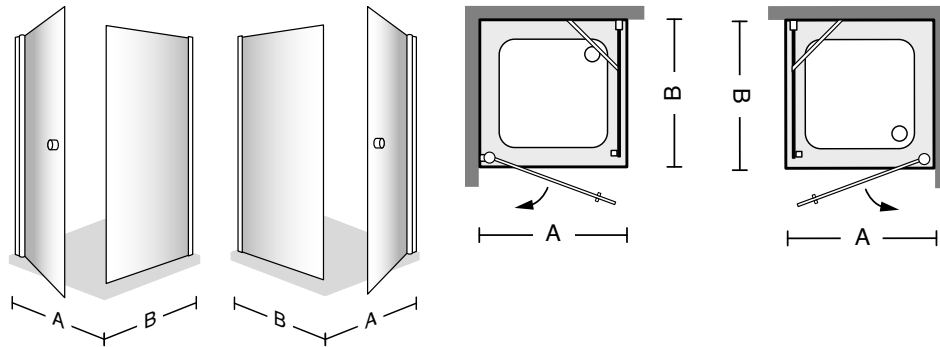
Matching shower trays see survey shower trays and shower enclosures page 333-335.

Please note the indication for watertightness and maintenance. See the chapter for technical information about shower enclosures, page 350).

FRAME TO FRAME Pivot doors (Corner with sidepanel)

Technical information:

Profiles + doorknobs: Are available in the colours chrome-plated (61).
Glass: Entrance corner, 6 mm safety glass always with VILBOclear.
Installation: Shower tray or integrated installation (tiles, floor).
Because of the construction, a 100% watertightness for shower enclosures with minimum profiles cannot be guaranteed.



Vilbo Clear

Standard dimensions:

Article number	Version and type of glass	Width door (A)	Width fixed panel (B)	Tray installation dim. (A/B)	Height	Width Step in	Colour 61
DW 8080 SKA 130V-XX	Pivoting door, with one fixed part (can be placed on the right or left-hand side)	800	800	780 - 800	1950	700	1.412,-
DW 9090 SKA 130V-XX		900	900	880 - 900		800	1.412,-
DW 1010 SKA 130V-XX		1000	1000	980 - 1000		900	1.443,-
DW 8010 SKA 130V-XX		800	800	980 - 1000 x 780 - 800		800	1.412,-
DW 8090 SKA 130V-XX				880 - 900 x 780 - 800			1.412,-

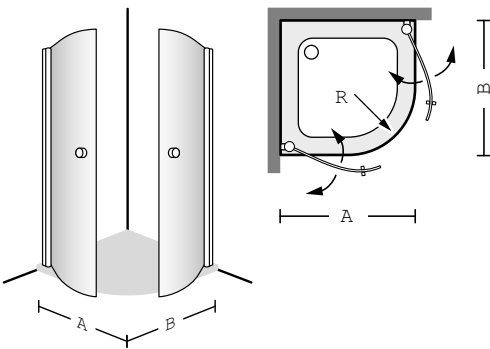
Matching shower trays see survey shower trays and shower enclosures page 333-335.

Please note the indication for watertightness and maintenance. See the chapter for technical information about shower enclosures, page 350).

FRAME TO FRAME Pivot doors (Quarter circle)

Technical information:

Profiles + doorknobs: Are available in the colours chrome-plated (61).
Glass: Quarter circle, 6 mm safety glass always with VILBOclear.
Installation: Shower tray or integrated installation (tiles, floor).
Because of the construction, a 100% watertightness for shower enclosures with minimum profiles cannot be guaranteed.



Vilbo Clear

Standard dimensions:

Article number	Version and type of glass	Size l x w	Tray installation dim. (A/B)	Height	Width Step in	Radius	Colour 61
DW 8080 SKA 160V-XX	Quarter circle, with 2 pivoting doors	800 x 800	780 - 800	1950	950	550	1.412,-
DW 9090 SKA 160V-XX		900 x 900	880 - 900		1100		1.412,-
DW 1010 SKA 160V-XX		1000 x 1000	980 - 1000		1250		1.443,-
DW 8090 SKA 160RV-XX		800 x 900	780 - 800 x 880 - 900		1025		1.412,-
DW 9080 SKA 160LV-XX		900 x 800	880 - 900 x 780 - 800		1100		1.412,-
DW 8010 SKA 160RV-XX		800 x 1000	780 - 800 x 980 - 1000				1.412,-
DW 1080 SKA 160LV-XX		1000 x 800	980 - 1000 x 780 - 800				1.412,-

Matching shower trays see survey shower trays and shower enclosures page 333-335.

Please note the indication for watertightness and maintenance. See the chapter for technical information about shower enclosures, page 350).

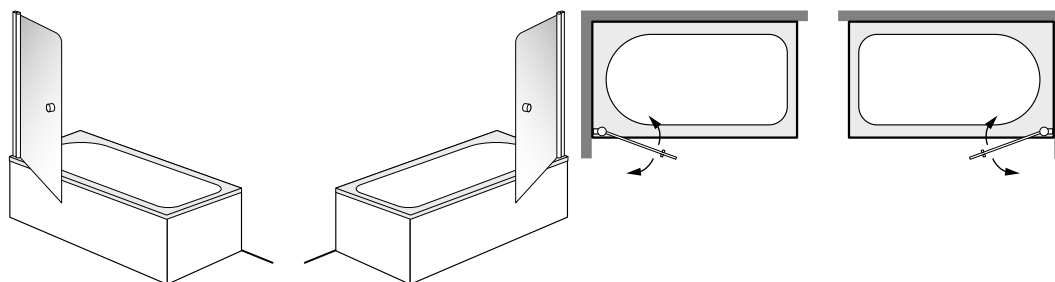
FRAME TO FRAME Shower screen (One-part)

Technical information:

Profiles + doorknobs: Are available in the colours chrome-plated (61).

Glass: Bath-mounted enclosures, 6 mm safety glass always with VILBOclear.

Because of the construction, a 100% watertightness for shower enclosures with minimum profiles cannot be guaranteed.



Vilbo
Clear

Standard dimensions:

Article number	Version and type of glass	Tray installation dim. door (A)	Width door (A)	Height	Colour 61
DW 0070 LOG 170V-XX	Shower screen, one-part (can be placed on the right or left-hand side)	700-720	700	1500	564,-
DW 0080 LOG 170V-XX		800-820	800		564,-

Matching baths see survey baths and shower screens page 382-384.

Please note the indication for watertightness and maintenance. See the chapter for technical information about shower enclosures, page 350).

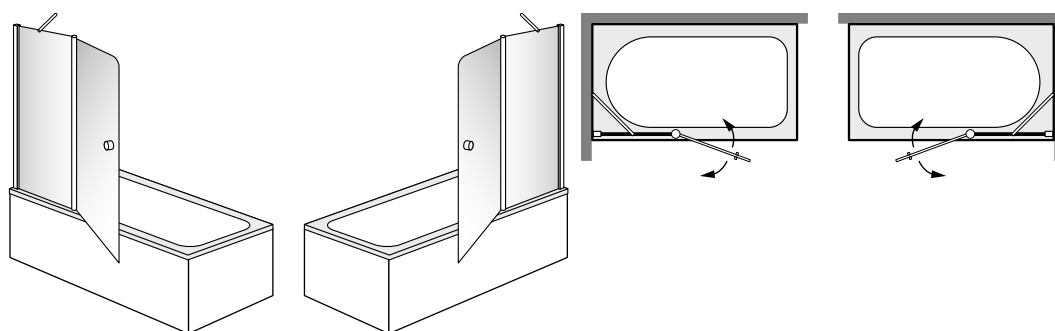
FRAME TO FRAME Shower screen (Two-part)

Technical information:

Profiles + doorknobs: Are available in the colours chrome-plated (61).

Glass: Bath-mounted enclosures, 6 mm safety glass always with VILBOclear.

Because of the construction, a 100% watertightness for shower enclosures with minimum profiles cannot be guaranteed.



Vilbo
Clear

Standard dimensions:

Article number	Version and type of glass	Tray installation dim. door (A)	Width door (A)	Height	Width fixed panel	Colour 61
DW 6040 LOG 171V-XX	Shower screen, two-part (can be placed on the right or left-hand side)	1000-1020	400	1500	600	741,-

Matching baths see survey baths and shower screens page 382-384.

Please note the indication for watertightness and maintenance. See the chapter for technical information about shower enclosures, page 350).

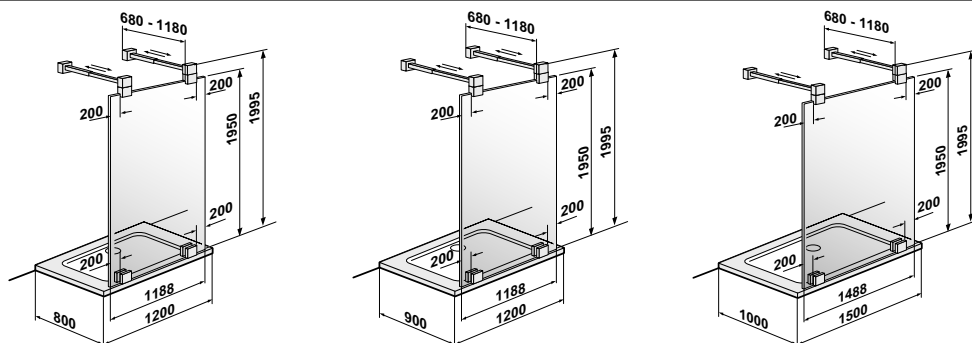
FUTURION (Walk-In) Sets

Technical information:

Standard height: Fixed panels 1950 mm (excl. shower tray).
Profiles: The profiles are available in the colours chrome-plated (61) and satin finish chrome (00).
Quaryl® shower tray: The Quaryl® shower trays can be supplied in all Quaryl® colours.
Glass: 8 mm transparent safety glass. Provided as standard with VILBOclear.
Because of the construction, a 100% watertightness for shower enclosures with minimum profiles cannot be guaranteed.
DC1516FT18XXV can be delivered till 31.03.2014, then only from existing stocks.

Not included in scope of delivery:

All shower trays are supplied without support/base.



Vilbo Clear

Article number	Version and type of glass	Width	Height Glass	Total height	Shower tray l x w	Colour 61	Colour 00
DC 1286 FT 18XXV	Walk-In shower enclosure, incl. Futurion shower tray, incl. wall mounting set	1188	1950	2170	1200 x 800	2.210,-	2.088,-
DC 1296 FT 18XXV					1200 x 900	2.210,-	2.088,-
DC 1516 FT 18XXV		1488			1500 x 1000	2.446,-	2.323,-

Accessories for shower trays:

Article number	Description	Price
U91400500	Polystyrene support, for shower tray, 1200 x 800 x 160 mm	155,-
U91400600	Polystyrene support, for shower tray, 1200 x 900 x 160 mm	155,-
U91400700	Polystyrene support, for shower tray, 1500 x 1000 x 160 mm	210,-
U82990000	Shower tray feet, adjustable height 105 to 150 mm	63,-
U90880261	Tempoplex Plus outlet, ø 90 mm, Drainage rate: 51 l/min, chrome plated	83,-
U90880368	Tempoplex Plus outlet, ø 90 mm, Drainage rate: 51 l/min, white	83,-

Matching shower trays see survey shower trays and shower enclosures page 333-335.

Please note the indication for the installation dimension (tray installation dim) of baths/shower trays, for watertightness and maintenance. See the chapter for technical information about shower enclosures, page 350).

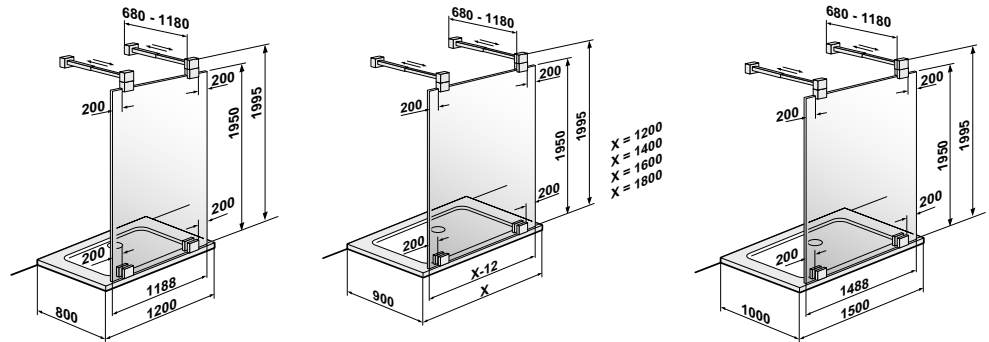
Installation: can alternatively be carried out on a shower tray, on tiles or on the floor. For the installation a free space to the ceiling of 140 mm is needed. The water installation must be carried out according to the regulations of DIN EN 1717. The dimensions indicated in the drawings match the product Futurion. The actual installation height depends on the combination of different baths/shower trays and on the architectural situation on the spot.

FUTURION (Walk-In) Sets

Technical information:

Standard height: Fixed panels 1950 mm (excl. shower tray).
Profiles: The profiles are available in the colours chrome-plated (61) and satin finish chrome (00).
Quaryl® shower tray: The Quaryl® shower trays can be supplied in all Quaryl® colours.
Glass: 8 mm transparent safety glass. Provided as standard with VILBOclear.
Because of the construction, a 100% watertightness for shower enclosures with minimum profiles cannot be guaranteed.
 All shower trays are supplied without support/base.

Not included in scope of delivery:



Vilbo Clear

Article number	Version and type of glass	Width	Height Glass	Total height	Shower tray l x w	Colour 61	Colour 00
DC 1286 FF 18XXV	Walk-In shower enclosure, incl. Futurion Flat shower tray, incl. wall mounting set	1188	1950	2135	1200 x 800	2.323,-	2.203,-
DC 1296 FF 18XXV		1388			1200 x 900	2.323,-	2.203,-
DC 1496 FF 18XXV		1488			1400 x 900	2.406,-	2.286,-
DC 1516 FF 18XXV		1688			1500 x 1000	2.588,-	2.465,-
DC 1696 FF 18XXV		1788			1600 x 900	2.596,-	2.471,-
DC 1896 FF 18XXV						1800 x 900	2.750,-

Accessories for shower trays:

Article number	Description	Price
U91411100	Installation set, for large sizes (1200 x 800 - 1800 x 1000), adjustable height 105 to 150 mm	188,-
U82990000	Shower tray feet, adjustable height 105 to 150 mm	63,-
U90880261	Tempoplex Plus outlet, ø 90 mm, Drainage rate: 51 l/min, chrome plated	83,-
U90880368	Tempoplex Plus outlet, ø 90 mm, Drainage rate: 51 l/min, white	83,-

Matching shower trays see survey shower trays and shower enclosures page 333-335.

Please note the indication for the installation dimension (tray installation dim) of baths/shower trays, for watertightness and maintenance. See the chapter for technical information about shower enclosures, page 350).

Installation: can alternatively be carried out on a shower tray, on tiles or on the floor. For the installation a free space to the ceiling of 140 mm is needed. The water installation must be carried out according to the regulations of DIN EN 1717. The dimensions indicated in the drawings match the product Futurion. The actual installation height depends on the combination of different baths/shower trays and on the architectural situation on the spot.

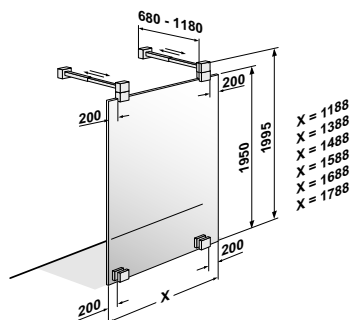
- The prices are given in Euro excl. VAT.
 - All sizes are indicated in mm.

- Replace XX with colour code
 - For further information about colours, see the fold-out page at the beginning of the section and 17.

FUTURION (Walk-In)

Technical information:

Standard height: Fixed panels 1950 mm (excl. shower tray).
Profiles: The profiles are available in the colours chrome-plated (61) and satin finish chrome (00). The telescopic crossbars included can be adjusted to depths between 680-1180 mm.
Glass: 8 mm transparent safety glass. Provided as standard with VILBOclear.
Because of the construction, a 100% watertightness for shower enclosures with minimum profiles cannot be guaranteed.



Vilbo
Clear

Article number	Version and type of glass	Width	Height Glass	Total height	Colour 61	Colour 00
DW 0129 FUT 182V-XX	Walk-In shower enclosure, incl. wall mounting set	1188	1950	1995	1.614,-	1.488,-
DW 0149 FUT 182V-XX		1388			1.672,-	1.547,-
DW 0150 FUT 182V-XX		1488			1.699,-	1.571,-
DW 0169 FUT 182V-XX		1588			1.729,-	1.600,-
DW 0179 FUT 182V-XX		1688			1.761,-	1.623,-
DW 0189 FUT 182V-XX		1788			1.789,-	1.654,-

Matching shower trays see survey shower trays and shower enclosures page 333-335.

Please note the indication for the installation dimension (tray installation dim) of baths/shower trays, for watertightness and maintenance. See the chapter for technical information about shower enclosures, page 350).

Installation: can alternatively be carried out on a shower tray, on tiles or on the floor. For the installation a free space to the ceiling of 140 mm is needed. The water installation must be carried out according to the regulations of DIN EN 1717. The dimensions indicated in the drawings match the product Futurion. The actual installation height depends on the combination of different baths/shower trays and on the architectural situation on the spot.

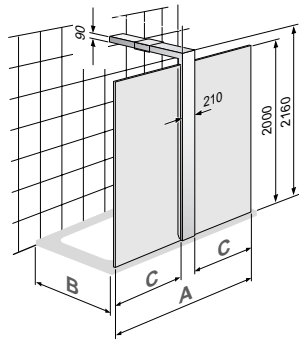
SHOWER ENCLOSURES

SQUARO

Swinging doors (Walk-In version Fitness - with tap fittings)

Technical information:

Function column: Available in the colour chromium-plated satinized (00).
Glass: 6 mm safety glass with VILBOclear-finish. Both hinged doors can be swivelled in both directions by 90°.
Because of the construction, a 100% watertightness for shower enclosures with minimum profiles cannot be guaranteed.
Flow volumes of the individual jets at 2 bar:
 Head shower: 10l/min, Hand-held shower head: 6 l/min, Side shower heads: each 2,1l/min,
Watersupply:
 Minimum diameter of the supply pipes: 15 mm
 Maximum pressure difference cold/hot water: 30 %
 Minimum flow pressure at the water supply point: 2 bar
Pre-drilled hole: The drilling hole made at the factory is positioned centrally on the outlet side.
Caution: The holes must be drilled before installation.



A	B	C
1200	800	485
1200	900	485
1400	900	585
1600	900	685
1700	800	735
1800	900	785

Vilbo
Clear

Article number	Version and type of glass	Width glas/ side	Width column	Height Glass	Total height	Interior stan- ding height	Colour 00
DW 1280 SQR 182PGV-XX	Walk-In Fitness version, 1200 x 800	485 + 485	210	2000	2160	2050	4.581,-
DW 1290 SQR 182PGV-XX	Walk-In Fitness version, 1200 x 900						4.581,-
DW 1490 SQR 182PGV-XX	Walk-In Fitness version, 1400 x 900	585 + 585					4.749,-
DW 1690 SQR 182PGV-XX	Walk-In Fitness version, 1600 x 900	685 + 685					4.915,-
DW 1780 SQR 182PGV-XX	Walk-In Fitness version, 1700 x 800	735 + 735					4.999,-
DW 1890 SQR 182PGV-XX	Walk-In Fitness version, 1800 x 900	785 + 785					5.087,-

Extras:

Article number	Description	Price
U99480200	Drilling shower tray / bath	104,-

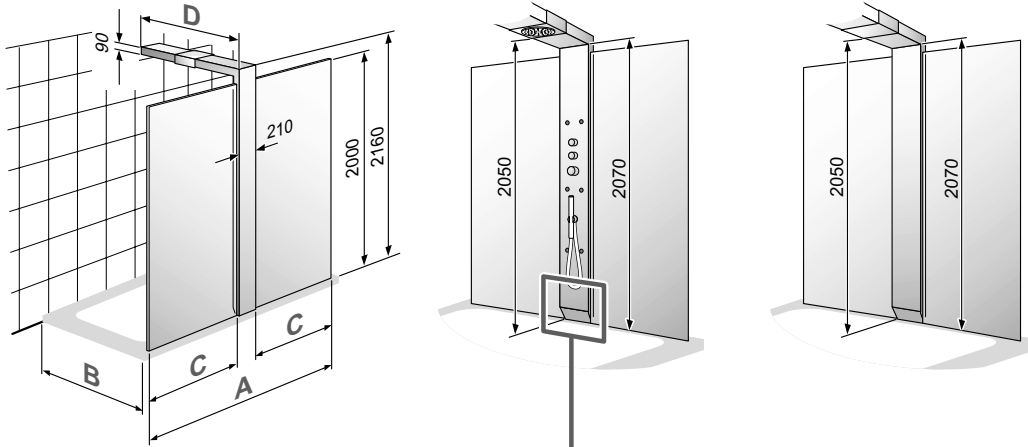
Matching shower trays see survey shower trays and shower enclosures page 333-335.

Please note the indication for the installation dimension (tray installation dim) of baths/shower trays, for watertightness and maintenance. See the chapter for technical information about shower enclosures, page 350).

Installation: can alternatively be carried out on a shower tray, on tiles or on the floor. For the installation a free space to the ceiling of 140 mm is needed. The water installation must be carried out according to the regulations of DIN EN 1717. The dimensions indicated in the drawings match the product Squaro. The actual installation height depends on the combination of different baths/shower trays and on the architectural situation on the spot.

SQUARO (Walk-In version Fitness - with tap fittings) Swinging doors

Anschlussmaße - Installation dimensions - Cotes de raccordement - Quote di allacciamento - Aansluitmaten

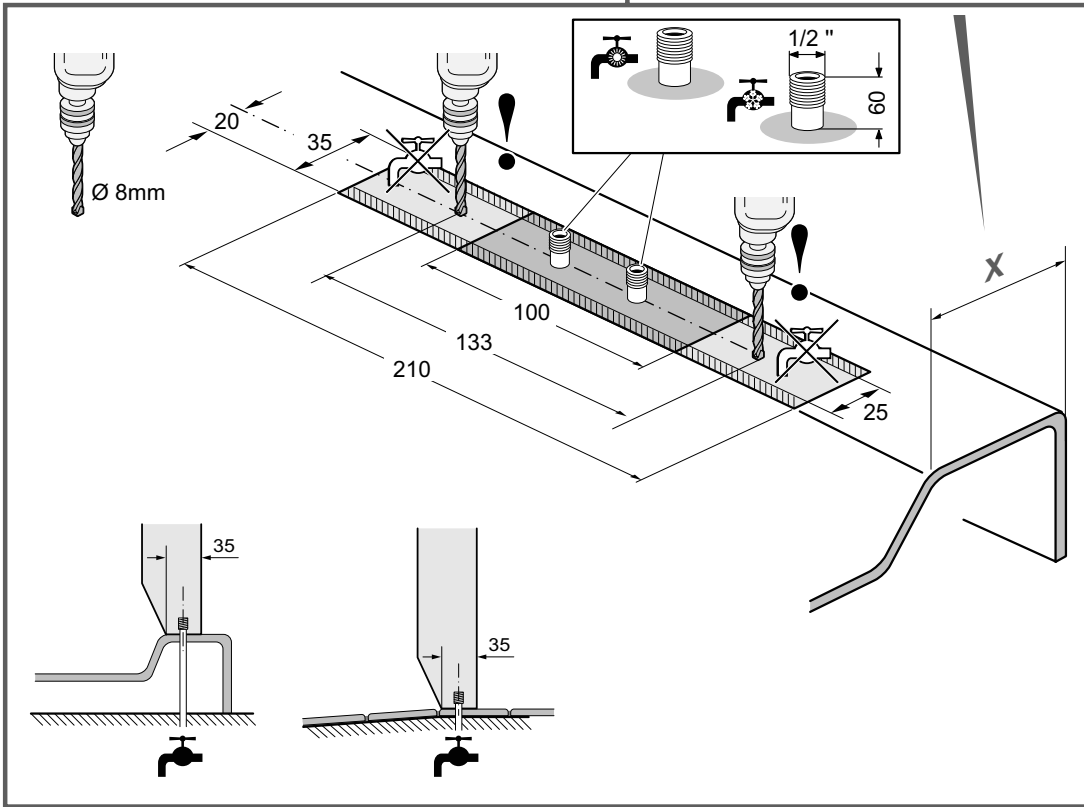
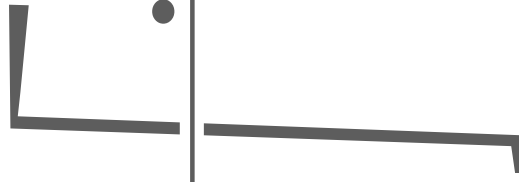


	A	B	C
1200x800	1200	800	485
1200x900	1200	900	485
1400x900	1400	900	585
1600x900	1600	900	685
1700x800	1700	800	735
1800x900	1800	900	785

$D = B - X + 35 \text{ mm}$

$D \geq 750 \text{ mm (min)}$

$D \leq 900 \text{ mm (max)}$



SHOWER ENCLOSURES

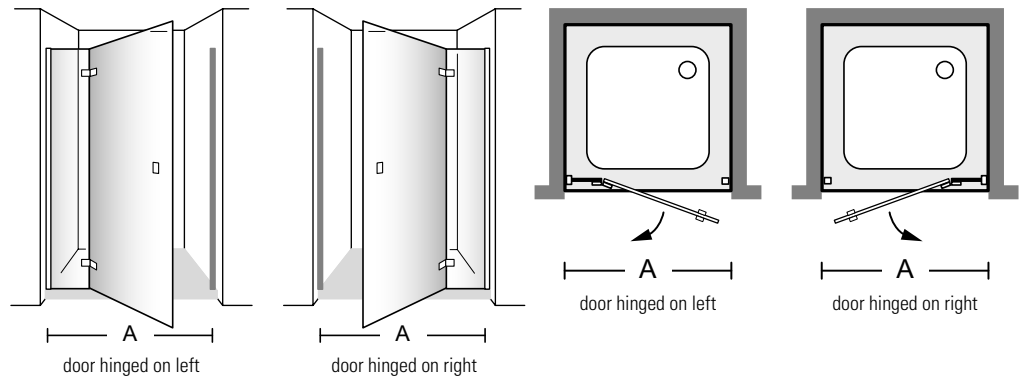
- The prices are given in Euro excl. VAT.
- All sizes are indicated in mm.

- Replace XX with colour code
- For further information about colours, see the fold-out page at the beginning of the section and 17.

SUBWAY Pivot doors (Alcove)

Technical information:

Profiles + doorknobs: Are available in the colours chrome-plated (61) and chromium-plated satinized (00).
Glass: Straight glass panels 8 mm safety glass, curved glass panels 6 mm safety glass with VILBOclear-finish.
Installation: Shower tray or integrated installation (tiles, floor).
Adjustment range: With the wall-connecting profile, differences in wall dimensions up to 16 mm (-8/+8 mm) can be compensated.
Hinges: The hinges that are integrated flush on the inside are fitted with a raising and lowering mechanism (outward opening).
Cross-bar: In order to get a maximum stability, several products are equipped with cross-bars.
Because of the construction, a 100% watertightness for shower enclosures with minimum profiles cannot be guaranteed.



Vilbo
Clear

Standard dimensions:

Article number	Version and type of glass	Nominal dimension	Tray installation dim. door (A)	Height	Width Step in	Width fixed panel	Colour 61	Colour 00
DW 0080 SUB 110LIV-XX	Pivoting door, for alcove, transparent safety glass, door hinged on left	800	792-808	1900	528	250	1.320,-	1.427,-
DW 0090 SUB 110LIV-XX		900	892-908		628		1.347,-	1.453,-
DW 0100 SUB 110LIV-XX		1000	992-1008		728		1.449,-	1.564,-
DW 0120 SUB 110LIV-XX		1200	1192-1208		928		1.557,-	1.666,-
DW 0080 SUB 110REV-XX	Pivoting door, for alcove, transparent safety glass, door hinged on right	800	792-808		528		1.320,-	1.427,-
DW 0090 SUB 110REV-XX		900	892-908		628		1.347,-	1.453,-
DW 0100 SUB 110REV-XX		1000	992-1008		728		1.449,-	1.564,-
DW 0120 SUB 110REV-XX		1200	1192-1208		928		1.557,-	1.666,-
DW 0080 SUB 110LGV-XX	Pivoting door, for alcove, transparent safety glass incl. VILBOclear, door hinged on left	800	792-808		528		1.527,-	1.634,-
DW 0090 SUB 110LGV-XX		900	892-908		628		1.552,-	1.659,-
DW 0100 SUB 110LGV-XX		1000	992-1008		728		1.657,-	1.768,-
DW 0120 SUB 110LGV-XX		1200	1192-1208		928		1.762,-	1.873,-
DW 0080 SUB 110RGV-XX	Pivoting door, for alcove, transparent safety glass incl. VILBOclear, door hinged on right	800	792-808	528	1.527,-	1.634,-		
DW 0090 SUB 110RGV-XX		900	892-908	628	1.552,-	1.659,-		
DW 0100 SUB 110RGV-XX		1000	992-1008	728	1.657,-	1.768,-		
DW 0120 SUB 110RGV-XX		1200	1192-1208	928	1.762,-	1.873,-		

Matching shower trays see survey shower trays and shower enclosures page 333-335.

Please note the indication for the installation dimension (tray installation dim) of baths/shower trays, for watertightness and maintenance. See the chapter for technical information about shower enclosures, page 350).

SHOWER ENCLOSURES

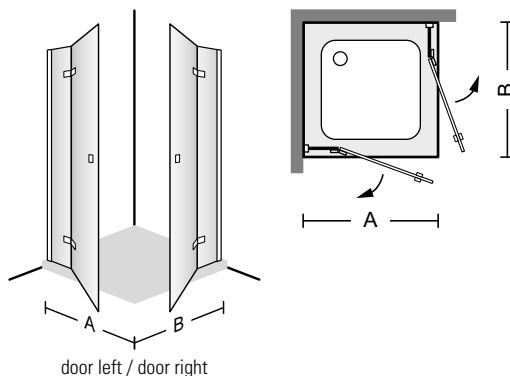
- The prices are given in Euro excl. VAT.
 - All sizes are indicated in mm.

- Replace XX with colour code
 - For further information about colours, see the fold-out page at the beginning of the section and 17.

SUBWAY Pivot doors (Corner)

Technical information:

Profiles + doorknobs: Are available in the colours chrome-plated (61) and chromium-plated satinized (00).
Glass: Straight glass panels 8 mm safety glass, curved glass panels 6 mm safety glass with VILBOclear-finish.
Installation: Shower tray or integrated installation (tiles, floor).
Adjustment range: With the wall-connecting profile, differences in wall dimensions up to 16 mm (-8/+8 mm) can be compensated.
Hinges: The hinges that are integrated flush on the inside are fitted with a raising and lowering mechanism (outward opening).
Cross-bar: In order to get a maximum stability, several products are equipped with cross-bars.
To order a complete corner entry or corner solution, must be combined:
 - for a corner entry with 2 swinging doors, a left and a right door.
 - for a corner solution with a door and side section, a left / right door and a side section.
Because of the construction, a 100% watertightness for shower enclosures with minimum profiles cannot be guaranteed.



Vilbo Clear

Standard dimensions:

Article number	Version and type of glass	Nominal dimension	Tray installation dim. door (A)	Height	Width Step in	Width fixed panel	Colour 61	Colour 00
DW 0080 SUB 204LIV-XX	Pivoting door, for corner, transparent safety glass, door left	800	792-808	1900	507	250	1.183,-	1.288,-
DW 0090 SUB 204LIV-XX		900	892-908		607		1.204,-	1.312,-
DW 0100 SUB 204LIV-XX		1000	992-1008		707		1.300,-	1.410,-
DW 0120 SUB 204LIV-XX		1200	1192-1208		907		1.391,-	1.503,-
DW 0080 SUB 204REV-XX	Pivoting door, for corner, transparent safety glass, door right	800	792-808		507		1.183,-	1.288,-
DW 0090 SUB 204REV-XX		900	892-908		607		1.204,-	1.312,-
DW 0100 SUB 204REV-XX		1000	992-1008		707		1.300,-	1.410,-
DW 0120 SUB 204REV-XX		1200	1192-1208		907		1.391,-	1.503,-
DW 0080 SUB 204LGV-XX	Pivoting door, for corner, transparent safety glass incl. VILBOclear, door left	800	792-808		507		1.389,-	1.494,-
DW 0090 SUB 204LGV-XX		900	892-908		607		1.411,-	1.518,-
DW 0100 SUB 204LGV-XX		1000	992-1008		707		1.507,-	1.617,-
DW 0120 SUB 204LGV-XX		1200	1192-1208		907		1.599,-	1.708,-
DW 0080 SUB 204RGV-XX	Pivoting door, for corner, transparent safety glass incl. VILBOclear, door right	800	792-808	507	1.389,-	1.494,-		
DW 0090 SUB 204RGV-XX		900	892-908	607	1.411,-	1.518,-		
DW 0100 SUB 204RGV-XX		1000	992-1008	707	1.507,-	1.617,-		
DW 0120 SUB 204RGV-XX		1200	1192-1208	907	1.599,-	1.708,-		

Matching shower trays see survey shower trays and shower enclosures page 333-335.

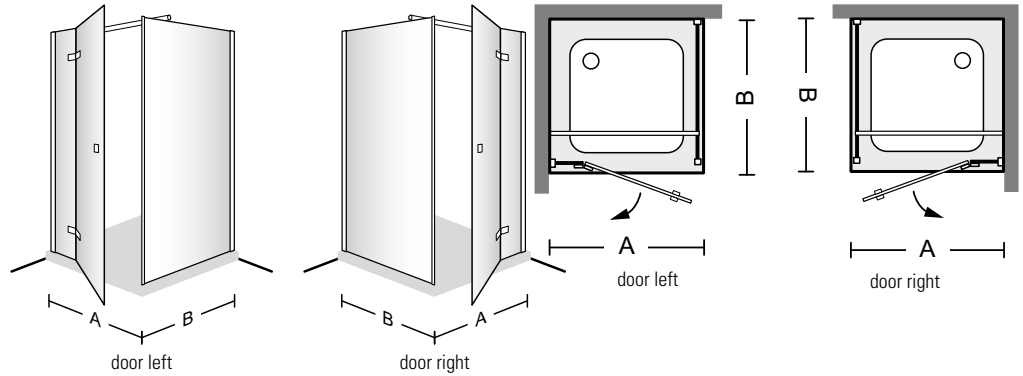
Please note the indication for the installation dimension (tray installation dim) of baths/shower trays, for watertightness and maintenance. See the chapter for technical information about shower enclosures, page 350).

SHOWER ENCLOSURES

SUBWAY Pivot doors (Corner)

Technical information:

Profiles + doorknobs: Are available in the colours chrome-plated (61) and chromium-plated satinized (00).
Glass: Straight glass panels 8 mm safety glass, curved glass panels 6 mm safety glass with VILBOclear-finish.
Installation: Shower tray or integrated installation (tiles, floor).
Adjustment range: With the wall-connecting profile, differences in wall dimensions up to 16 mm (-8/+8 mm) can be compensated.
Hinges: The hinges that are integrated flush on the inside are fitted with a raising and lowering mechanism (outward opening).
Cross-bar: In order to get a maximum stability, several products are equipped with cross-bars.
To order a complete corner entry or corner solution, must be combined:
 - for a corner entry with 2 swinging doors, a left and a right door.
 - for a corner solution with a door and side section, a left / right door and a side section.
Because of the construction, a 100% watertightness for shower enclosures with minimum profiles cannot be guaranteed.



Vilbo Clear

Standard dimensions door:

Article number	Version and type of glass	Nominal dimension	Tray installation dim. door (A)	Height	Width Step in	Width fixed panel	Colour 61	Colour 00
DW 0080 SUB 204LIV-XX	Pivoting door, for corner, transparent safety glass, door left	800	792-808	1900	507	250	1.183,-	1.288,-
DW 0090 SUB 204LIV-XX		900	892-908		607		1.204,-	1.312,-
DW 0100 SUB 204LIV-XX		1000	992-1008		707		1.300,-	1.410,-
DW 0120 SUB 204LIV-XX		1200	1192-1208		907		1.391,-	1.503,-
DW 0080 SUB 204REV-XX	Pivoting door, for corner, transparent safety glass, door right	800	792-808		507		1.183,-	1.288,-
DW 0090 SUB 204REV-XX		900	892-908		607		1.204,-	1.312,-
DW 0100 SUB 204REV-XX		1000	992-1008		707		1.300,-	1.410,-
DW 0120 SUB 204REV-XX		1200	1192-1208		907		1.391,-	1.503,-
DW 0080 SUB 204LGV-XX	Pivoting door, for corner, transparent safety glass incl. VILBOclear, door left	800	792-808		507		1.389,-	1.494,-
DW 0090 SUB 204LGV-XX		900	892-908		607		1.411,-	1.518,-
DW 0100 SUB 204LGV-XX		1000	992-1008		707		1.507,-	1.617,-
DW 0120 SUB 204LGV-XX		1200	1192-1208		907		1.599,-	1.708,-
DW 0080 SUB 204RGV-XX	Pivoting door, for corner, transparent safety glass incl. VILBOclear, door right	800	792-808	507	1.389,-	1.494,-		
DW 0090 SUB 204RGV-XX		900	892-908	607	1.411,-	1.518,-		
DW 0100 SUB 204RGV-XX		1000	992-1008	707	1.507,-	1.617,-		
DW 0120 SUB 204RGV-XX		1200	1192-1208	907	1.599,-	1.708,-		

Standard dimensions side section:

Article number	Version and type of glass	Nominal dimension	Tray installation dim. fixed panel	Height	Colour 61	Colour 00
DW 0075 SUB 203V-XX	Side section, for combination with swinging door, transparent safety glass	750	742-758	1900	934,-	1.035,-
DW 0080 SUB 203V-XX		800	792-808		960,-	1.063,-
DW 0090 SUB 203V-XX		900	892-908		979,-	1.085,-
DW 0100 SUB 203V-XX		1000	992-1008		1.054,-	1.161,-
DW 0120 SUB 203V-XX	1200	1192-1208	1.125,-		1.230,-	
DW 0075 SUB 203GV-XX	Side section, for combination with swinging door, transparent safety glass incl. VILBOclear	750	742-758		1.142,-	1.240,-
DW 0080 SUB 203GV-XX		800	792-808		1.166,-	1.271,-
DW 0090 SUB 203GV-XX		900	892-908		1.186,-	1.290,-
DW 0100 SUB 203GV-XX		1000	992-1008	1.259,-	1.367,-	
DW 0120 SUB 203GV-XX		1200	1192-1208	1.333,-	1.436,-	

Matching shower trays see survey shower trays and shower enclosures page 333-335.

Please note the indication for the installation dimension (tray installation dim) of baths/shower trays, for watertightness and maintenance. See the chapter for technical information about shower enclosures, page 350).

- The prices are given in Euro excl. VAT.
 - All sizes are indicated in mm.

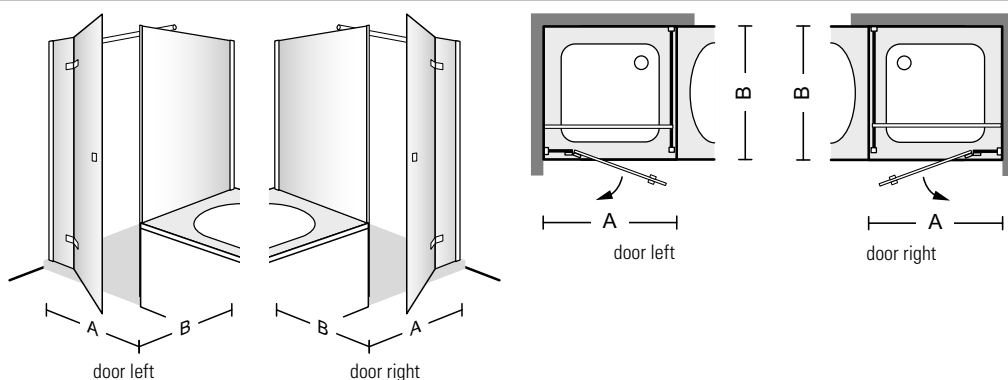
- Replace XX with colour code
 - For further information about colours, see the fold-out page at the beginning of the section and 17.

SHOWER ENCLOSURES

SUBWAY Pivot doors (Corner)

Technical information:

Profiles + doorknobs: Are available in the colours chrome-plated (61) and chromium-plated satinized (00).
Glass: Straight glass panels 8 mm safety glass, curved glass panels 6 mm safety glass with VILBOclear-finish.
Installation: Shower tray or integrated installation (tiles, floor).
Adjustment range: With the wall-connecting profile, differences in wall dimensions up to 16 mm (-8/+8 mm) can be compensated.
Hinges: The hinges that are integrated flush on the inside are fitted with a raising and lowering mechanism (outward opening).
Cross-bar: In order to get a maximum stability, several products are equipped with cross-bars.
To order a complete corner entry or corner solution, must be combined:
 - for a corner entry with 2 swinging doors, a left and a right door.
 - for a corner solution with a door and side section, a left / right door and a side section.
Because of the construction, a 100% watertightness for shower enclosures with minimum profiles cannot be guaranteed.



Standard dimensions door:

Article number	Version and type of glass	Nominal dimension	Tray installation dim. door (A)	Height	Width Step in	Width fixed panel	Colour 61	Colour 00
DW 0080 SUB 204LIV-XX	Pivoting door, for corner, transparent safety glass, door left	800	792-808	1900	507	250	1.183,-	1.288,-
DW 0090 SUB 204LIV-XX		900	892-908		607		1.204,-	1.312,-
DW 0100 SUB 204LIV-XX		1000	992-1008		707		1.300,-	1.410,-
DW 0120 SUB 204LIV-XX		1200	1192-1208		907		1.391,-	1.503,-
DW 0080 SUB 204REV-XX	Pivoting door, for corner, transparent safety glass, door right	800	792-808		507		1.183,-	1.288,-
DW 0090 SUB 204REV-XX		900	892-908		607		1.204,-	1.312,-
DW 0100 SUB 204REV-XX		1000	992-1008		707		1.300,-	1.410,-
DW 0120 SUB 204REV-XX		1200	1192-1208		907		1.391,-	1.503,-
DW 0080 SUB 204LGV-XX	Pivoting door, for corner, transparent safety glass incl. VILBOclear, door left	800	792-808		507		1.389,-	1.494,-
DW 0090 SUB 204LGV-XX		900	892-908		607		1.411,-	1.518,-
DW 0100 SUB 204LGV-XX		1000	992-1008		707		1.507,-	1.617,-
DW 0120 SUB 204LGV-XX		1200	1192-1208		907		1.599,-	1.708,-
DW 0080 SUB 204RGV-XX	Pivoting door, for corner, transparent safety glass incl. VILBOclear, door right	800	792-808	507	1.389,-	1.494,-		
DW 0090 SUB 204RGV-XX		900	892-908	607	1.411,-	1.518,-		
DW 0100 SUB 204RGV-XX		1000	992-1008	707	1.507,-	1.617,-		
DW 0120 SUB 204RGV-XX		1200	1192-1208	907	1.599,-	1.708,-		

Standard dimensions side section short:

Article number	Version and type of glass	Nominal dimension	Tray installation dim. fixed panel	Height	Colour 61	Colour 00
DW 0080 SUB 212V-XX	Side section short, for combination with swinging door, transparent safety glass	800	792-808	1550	960,-	1.072,-
DW 0090 SUB 212V-XX		900	892-908		979,-	1.094,-
DW 0100 SUB 212V-XX		1000	992-1008		1.054,-	1.168,-
DW 0080 SUB 212GV-XX	Side section short, for combination with swinging door, transparent safety glass incl. VILBOclear	800	792-808		1.166,-	1.280,-
DW 0090 SUB 212GV-XX		900	892-908		1.186,-	1.300,-
DW 0100 SUB 212GV-XX		1000	992-1008		1.259,-	1.376,-

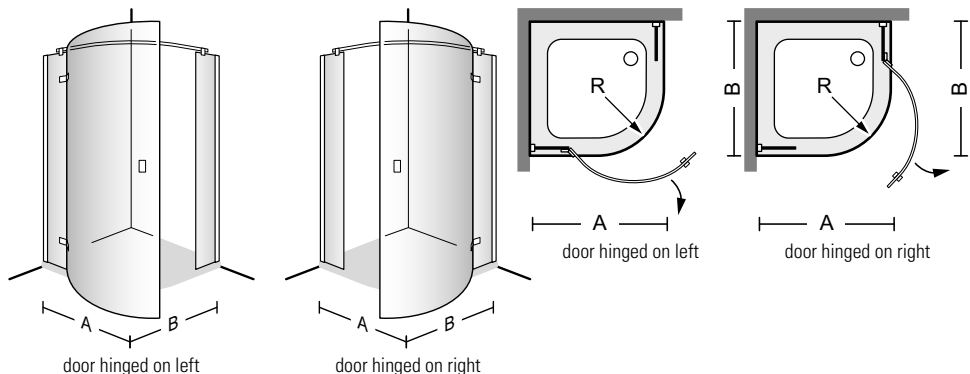
Matching shower trays see survey shower trays and shower enclosures page 333-335.

Please note the indication for the installation dimension (tray installation dim) of baths/shower trays, for watertightness and maintenance. See the chapter for technical information about shower enclosures, page 350).

SUBWAY Pivot doors (Quarter circle)

Technical information:

Profiles + doorknobs: Are available in the colours chrome-plated (61) and chromium-plated satinized (00).
Glass: Straight glass panels 8 mm safety glass, curved glass panels 6 mm safety glass with VILBOclear-finish.
Installation: Shower tray or integrated installation (tiles, floor).
Adjustment range: With the wall-connecting profile, differences in wall dimensions up to 16 mm (-8/+8 mm) can be compensated.
Hinges: The hinges that are integrated flush on the inside are fitted with a raising and lowering mechanism (outward opening).
Cross-bar: In order to get a maximum stability, several products are equipped with cross-bars.
Because of the construction, a 100% watertightness for shower enclosures with minimum profiles cannot be guaranteed.



Standard dimensions:

Article number	Version and type of glass	Nominal dimension	Tray installation dim. (A/B)	Height	Width Step in	Width fixed panel (side metal work/knob)	Radius	Colour 61	Colour 00
DW 9090 SUB 166LIV-XX	Quarter circle, transparent safety glass, door hinged on left, with 1 pivot door	900	892-908	1900	830	240 / 325	550	2.295,-	2.498,-
DW 1010 SUB 166LIV-XX	Quarter circle, transparent safety glass, door hinged on right, with 1 pivot door	1000	992-1008			350 / 430		2.460,-	2.666,-
DW 9090 SUB 166REV-XX	Quarter circle, transparent safety glass, door hinged on left, with 1 pivot door	900	892-908			240 / 325		2.295,-	2.498,-
DW 1010 SUB 166REV-XX	Quarter circle, transparent safety glass, door hinged on right, with 1 pivot door	1000	992-1008			350 / 430		2.460,-	2.666,-
DW 9090 SUB 166LGV-XX	Quarter circle, transparent safety glass incl. VILBOclear, door hinged on left, with 1 pivot door	900	892-908			240 / 325		2.650,-	2.850,-
DW 1010 SUB 166LGV-XX	Quarter circle, transparent safety glass incl. VILBOclear, door hinged on right, with 1 pivot door	1000	992-1008			350 / 430		2.812,-	3.018,-
DW 9090 SUB 166RGV-XX	Quarter circle, transparent safety glass incl. VILBOclear, door hinged on left, with 1 pivot door	900	892-908			240 / 325		2.650,-	2.850,-
DW 1010 SUB 166RGV-XX	Quarter circle, transparent safety glass incl. VILBOclear, door hinged on right, with 1 pivot door	1000	992-1008			350 / 430		2.812,-	3.018,-

Matching shower trays see survey shower trays and shower enclosures page 333-335.

Please note the indication for the installation dimension (tray installation dim) of baths/shower trays, for watertightness and maintenance. See the chapter for technical information about shower enclosures, page 350).

SHOWER ENCLOSURES

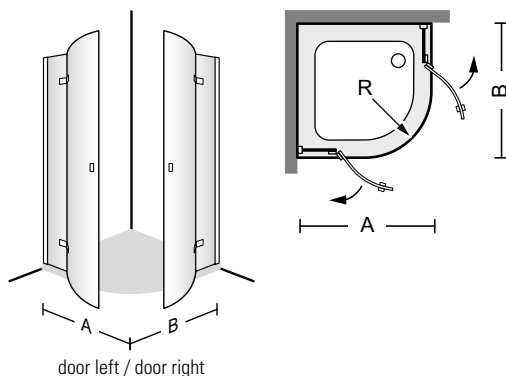
- The prices are given in Euro excl. VAT.
 - All sizes are indicated in mm.

- Replace XX with colour code
 - For further information about colours, see the fold-out page at the beginning of the section and 17.

SUBWAY Pivot doors (Quarter circle)

Technical information:

Profiles + doorknobs: Are available in the colours chrome-plated (61) and chromium-plated satinized (00).
Glass: Straight glass panels 8 mm safety glass, curved glass panels 6 mm safety glass with VILBOclear-finish.
Installation: Shower tray or integrated installation (tiles, floor).
Adjustment range: With the wall-connecting profile, differences in wall dimensions up to 16 mm (-8/+8 mm) can be compensated.
Hinges: The hinges that are integrated flush on the inside are fitted with a raising and lowering mechanism (outward opening).
Cross-bar: In order to get a maximum stability, several products are equipped with cross-bars.
Because of the construction, a 100% watertightness for shower enclosures with minimum profiles cannot be guaranteed.



Vilbo
Clear

Standard dimensions:

Article number	Version and type of glass	Nominal dimension	Tray installation dim. (A/B)	Height	Width Step in	Width fixed panel	Radius	Colour 61	Colour 00
DW 8080 SUB 165V-XX	Quarter circle, transparent safety glass, with 2 pivot doors	800	792-808	1900	810	195	500	2.552,-	2.785,-
DW 9090 SUB 165V-XX		900	892-908		880	245	550	2.601,-	2.838,-
DW 1010 SUB 165V-XX		1000	992-1008		880	345		2.701,-	2.936,-
DW 8080 SUB 165GV-XX	Quarter circle, transparent safety glass incl. VILBOclear, with 2 pivot doors	800	792-808		810	195	500	2.904,-	3.136,-
DW 9090 SUB 165GV-XX		900	892-908		880	245	550	2.955,-	3.192,-
DW 1010 SUB 165GV-XX		1000	992-1008			345		3.054,-	3.289,-

Matching shower trays see survey shower trays and shower enclosures page 333-335.

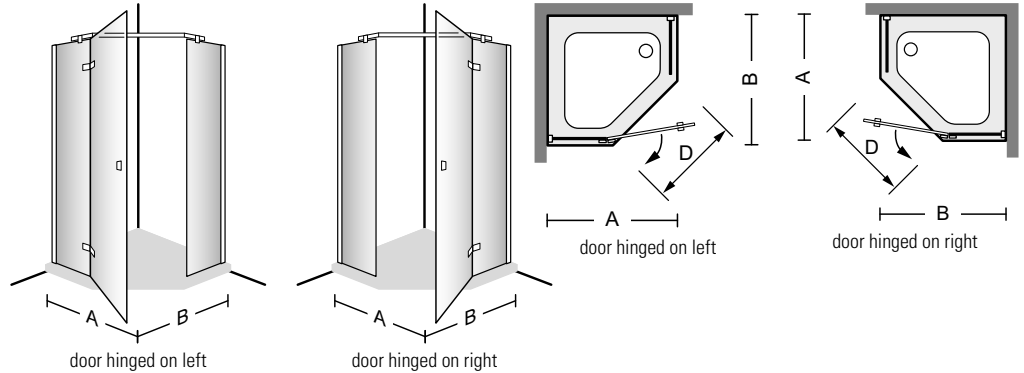
Please note the indication for the installation dimension (tray installation dim) of baths/shower trays, for watertightness and maintenance. See the chapter for technical information about shower enclosures, page 350).

SHOWER ENCLOSURES

SUBWAY Pivot doors (Pentagonal)

Technical information:

Profiles + doorknobs: Are available in the colours chrome-plated (61) and chromium-plated satinized (00).
Glass: Straight glass panels 8 mm safety glass, curved glass panels 6 mm safety glass with VILBOclear-finish.
Installation: Shower tray or integrated installation (tiles, floor).
Adjustment range: With the wall-connecting profile, differences in wall dimensions up to 16 mm (-8/+8 mm) can be compensated.
Hinges: The hinges that are integrated flush on the inside are fitted with a raising and lowering mechanism (outward opening).
Cross-bar: In order to get a maximum stability, several products are equipped with cross-bars.
Because of the construction, a 100% watertightness for shower enclosures with minimum profiles cannot be guaranteed.



Vilbo
Clear

Standard dimensions:

Article number	Version and type of glass	Nominal dimension	Tray installation dim. (A/B)	Height	Width Step in	Width fixed panel (side metal work/knob)	Diagonal measure (D)	Colour 61	Colour 00
DW 9090 SUB 156LIV-XX	Pentagonal, transparent safety glass,	900	892-908	1900	615	437 / 428	636	2.335,-	2.563,-
DW 1010 SUB 156LIV-XX	door hinged on left, with 1 pivot door	1000	992-1008		695	492 / 476	710	2.509,-	2.746,-
DW 9090 SUB 156REV-XX	Pentagonal, transparent safety glass,	900	892-908		615	437 / 428	636	2.335,-	2.563,-
DW 1010 SUB 156REV-XX	door hinged on right, with 1 pivot door	1000	992-1008		695	492 / 476	710	2.509,-	2.746,-
DW 9090 SUB 156LGV-XX	Pentagonal, transparent safety glass incl. VILBOclear, door hinged on left, with 1 pivot door	900	892-908		615	437 / 428	636	2.687,-	2.918,-
DW 1010 SUB 156LGV-XX		1000	992-1008		695	492 / 476	710	2.865,-	3.097,-
DW 9090 SUB 156RGV-XX	Pentagonal, transparent safety glass incl. VILBOclear, door hinged on right, with 1 pivot door	900	892-908		615	437 / 428	636	2.687,-	2.918,-
DW 1010 SUB 156RGV-XX		1000	992-1008		695	492 / 476	710	2.865,-	3.097,-

Matching shower trays see survey shower trays and shower enclosures page 333-335.

Please note the indication for the installation dimension (tray installation dim) of baths/shower trays, for watertightness and maintenance. See the chapter for technical information about shower enclosures, page 350).

SHOWER ENCLOSURES

- The prices are given in Euro excl. VAT.
 - All sizes are indicated in mm.

- Replace XX with colour code
 - For further information about colours, see the fold-out page at the beginning of the section and 17.

SUBWAY Walk In (Walk-In)

Technical information:

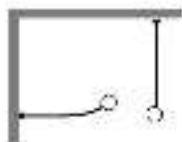
Profiles + doorknobs: Are available in the colours chrome-plated (61) and chromium-plated satinized (00).
Glass: Straight glass panels 8 mm safety glass, curved glass panels 6 mm safety glass with VILBOclear-finish.
Installation: Shower tray or integrated installation (tiles, floor).
Adjustment range: With the wall-connecting profile, differences in wall dimensions up to 16 mm (-8/+8 mm) can be compensated.
Cross-bar: In order to get a maximum stability, several products are equipped with cross-bars.
Because of the construction, a 100% watertightness for shower enclosures with minimum profiles cannot be guaranteed.

Important note

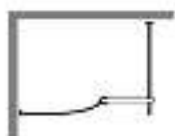
Various fastenings are available to stabilise the glass panels:
 - End profile (ceiling-floor fastening)
 - Crossbar (glass-glass fastening or glass-wall fastening)
 - Or a combination of the two



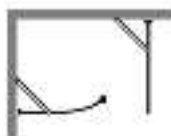
Vilbo Clear



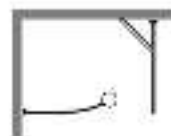
Excl. shower tray
End profile PGR60285461019 for each glass panel



STRONG>Glass-Glass-Cross-bar
PGR60522301XXX between Base element and side section



End profile PGR60285461019
For ceiling-floor fastening per glass element



End profile PGR60285461019
For ceiling-floor fastening to base element, as well as glass-wall crossbar PGR60522XXXXXX to side section

Article number	Version and type of glass	Nominal dimension	Height	Colour 61	Colour 00
DW 0090 SUB 183V-XX	Walk-In basic element curved, transparent safety glass	886	2000	974,-	885,-
DW 0090 SUB 183GV-XX	Walk-In basic element curved, transparent safety glass incl. VILBOclear			1.181,-	1.090,-

Article number	Version and type of glass	Nominal dimension	Width fixed panel	Height	Colour 61	Colour 00
DW 0090 SUB 184V-XX	Side section, for Walk In, transparent safety glass	900	892-908	2000	872,-	768,-
DW 0100 SUB 184V-XX		1000	992-1008		935,-	828,-
DW 0090 SUB 184GV-XX	Side section, for Walk In, transparent safety glass incl. VILBOclear	900	892-908	2000	1.081,-	974,-
DW 0100 SUB 184GV-XX		1000	992-1008		1.143,-	1.035,-

Cross-bar:

Article number	Description	Width	Colour 61	Colour 00
PGR60522301019	Cross-bar G/G, for Walk In, pull-out, chrome	700-1000	440,-	-
PGR60522301119	Cross-bar G/G, for Walk In, pull-out, satin finish chrome		-	507,-
PGR60522201019	Cross-bar G/W, for Walk In, 500 mm, chrome	500	440,-	-
PGR60522101099	Cross-bar G/W, for Walk In, 500 mm, satin finish chrome		-	507,-
PGR60285461019	Ceiling-floor end profile, for Walk In, 2600 mm, chrome	2600	646,-	-

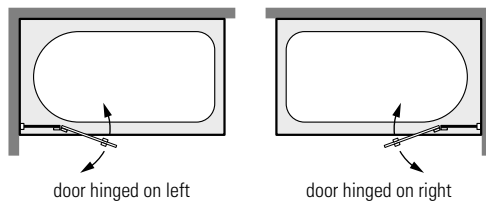
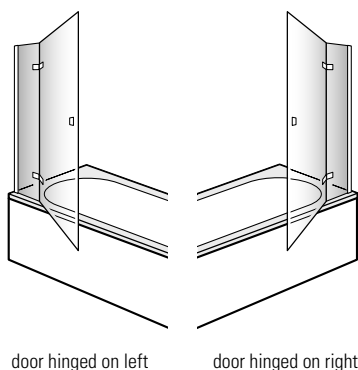
Matching shower trays see survey shower trays and shower enclosures page 333-335.

Please note the indication for the installation dimension (tray installation dim) of baths/shower trays, for watertightness and maintenance. See the chapter for technical information about shower enclosures, page 350.

SUBWAY Swinging doors (Shower screen)

Technical information:

Profiles + doorknobs: Are available in the colours chrome-plated (61) and chromium-plated satinized (00).
Glass: Straight glass panels 8 mm safety glass, curved glass panels 6 mm safety glass with VILBOclear-finish.
Installation: Shower tray or integrated installation (tiles, floor).
Adjustment range: With the wall-connecting profile, differences in wall dimensions up to 16 mm (-8/+8 mm) can be compensated.
Cross-bar: In order to get a maximum stability, several products are equipped with cross-bars.
Because of the construction, a 100% watertightness for shower enclosures with minimum profiles cannot be guaranteed.



Vilbo
Clear

Standard dimensions:

Article number	Version and type of glass	Nominal dimension	Tray installation dim.	Height	Width fixed panel	Colour 61	Colour 00
DW 0090 SUB 171LIV-XX	Shower screen, transparent safety glass, door hinged on left	900	892-908	1500	450	1.172,-	1.276,-
DW 0090 SUB 171REV-XX	Shower screen, transparent safety glass, door hinged on right					1.172,-	1.276,-
DW 0090 SUB 171LGV-XX	Shower screen, transparent safety glass incl. VILBOclear, door hinged on left					1.355,-	1.457,-
DW 0090 SUB 171RGV-XX	Shower screen, transparent safety glass incl. VILBOclear, door hinged on right					1.355,-	1.457,-

Matching baths see survey baths and shower screens page 382-384.

Please note the indication for the installation dimension (tray installation dim) of baths/shower trays, for watertightness and maintenance. See the chapter for technical information about shower enclosures, page 350).

For baths with a whirlpool system the control elements on the bathrim may limit the usability of the shower screen.

SHOWER ENCLOSURES

- The prices are given in Euro excl. VAT.
 - All sizes are indicated in mm.

- Replace XX with colour code
 - For further information about colours, see the fold-out page at the beginning of the section and 17.

SUBWAY Swinging doors (Shower screen)

Technical information:

Profiles + doorknobs: Are available in the colours chrome-plated (61) and chromium-plated satinized (00).

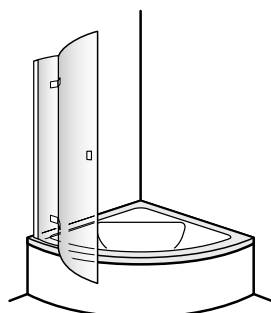
Glass: Straight glass panels 8 mm safety glass, curved glass panels 6 mm safety glass with VILBOclear-finish.

Installation: Shower tray or integrated installation (tiles, floor).

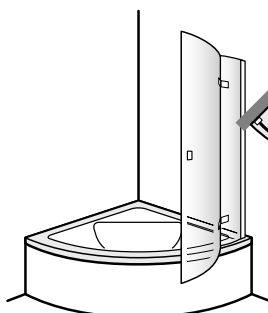
Adjustment range: With the wall-connecting profile, differences in wall dimensions up to 16 mm (-8/+8 mm) can be compensated.

Cross-bar: In order to get a maximum stability, several products are equipped with cross-bars.

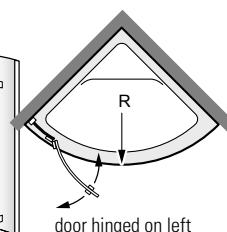
Because of the construction, a 100% watertightness for shower enclosures with minimum profiles cannot be guaranteed.



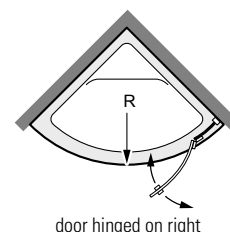
door hinged on left



door hinged on right



door hinged on left



door hinged on right

Vilbo
Clear

Standard dimensions:

Article number	Version and type of glass	Nominal dimension	Tray installation dim.	Height	Width fixed panel	Colour 61	Colour 00
DW 0140 SUB 171LIV-XX	Shower screen, transparent safety glass, door hinged on left	1400	1392-1408	1500	478	1.885,-	1.987,-
DW 0140 SUB 171REV-XX	Shower screen, transparent safety glass, door hinged on right					1.885,-	1.987,-
DW 0140 SUB 171LGV-XX	Shower screen, transparent safety glass incl. VILBOclear, door hinged on left					2.067,-	2.173,-
DW 0140 SUB 171RGV-XX	Shower screen, transparent safety glass incl. VILBOclear, door hinged on right					2.067,-	2.173,-

Matching baths see survey baths and shower screens page 382-384.

Please note the indication for the installation dimension (tray installation dim) of baths/shower trays, for watertightness and maintenance. See the chapter for technical information about shower enclosures, page 350).


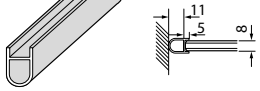
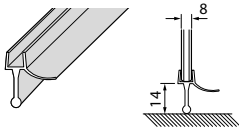
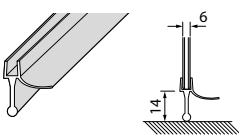
For baths with a whirlpool system the control elements on the bathrim may limit the usability of the shower screen.

Shower enclosures profiles

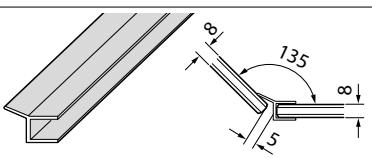
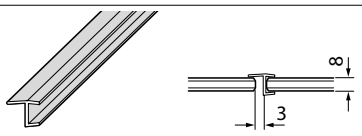
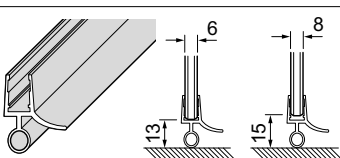
Wear parts

We only use the highest quality materials for our shower enclosures. Certain components, such as sealing/drainage strips show signs of wear over the course of time and need to be replaced - depending on the frequency of use and the way they are cleaned. Replacement of such parts is not covered by our warranty.

Standard profiles for the shower enclosure family

Article number	Family	Model	Application		Price
PGR60454100009	Subway	Pivoting door for alcove, pivoting door for corner access, side panel or shortened side panel, pentagonal version	Center sealing, round, PVC, for 8 mm glass. Length 2000 mm.		20,-
PGR60450920009	Subway	Bath mounted panel in 2 parts, bath mounted panel, curved, Square	Sealing strip, PVC with small glassinsert depth, for 8 mm glass. Length 2000 mm.		40,-
PGR60450460009	Subway	Subway models with 8 mm glass	Drainage strip, PVC, with a fine, round massive profile and a small glass-insert depth for 8 mm glass. Length 2000 mm.		45,-
PGR60450470009	Subway	Subway models with 6 mm glass (quarter circle, curved glass panels)	Drainage strip, PVC, with a fine full round massive profile and a small glass-insert depth for 6 mm glass. Length 2000 mm.		45,-

Alternative profiles for the shower enclosure family Subway

Article number	Family	Model	Application		Price
PGR60451400009	Subway	Pentagonal with 1 pivoting door	Central sealing 135° (alternative sealing 135° space between fixed panel and door glass, PVC, for 8 mm glass. Length 2000 mm.		26,-
PGR60458500009	Subway	Pivoting door for alcove, pivoting door for corner access, side panel or shortened side panel, bath mounted panel upright.	H profile small (alternative sealing shower cabins with 180° glass/glass connection), PVC, for 8 mm glass. Length 2000 mm.		26,-
PGR60450440009	Subway	Shower types with flat door panels	Drainage profile (alternative for standard profile), can be used on a tiled floor, PVC, for 6 and 8 mm glass. Length 2000 mm.		45,-